

UXOs that threaten your mission will require EOD assistance to eliminate.

UXO reports are used to request assistance and to set the priority of response

**SAFETY THOUGHTS**

1. AVOID THE UXO HAZARD WHENEVER POSSIBLE
2. SEND A UXO SPOT REPORT BY THE FASTEST MEANS AVAILABLE.
3. CLEARLY MARK THE UXO AREA.
4. PROTECTIVE MEASURES CAN SAVE LIVES AND EQUIPMENT.

**MARK IT, REPORT IT  
CONTINUE MISSION**

**UXO SPOT REPORT**

LINE 1. DATE/TIME GROUP DISCOVERED

LINE 2. REPORTING ACTIVITY (UIC)  
LOCATION (8-DIGIT GRID OF UXO)

LINE 3. CONDUCT METHOD:  
RADIO FREQ/CALL SIGN  
TELEPHONE #

LINE 4. TYPE OF MUNITION  
(DROPPED, PROJECTED, PLACED  
OR THROWN)

LINE 5. CBRN CONTAMINATION

LINE 6. RESOURCES THREATENED

LINE 7. IMPACT ON MISSION

LINE 8. PROTECTIVE MEASURES TAKEN

LINE 9. RECOMMENDED PRIORITY  
(IMMEDIATE, INDIRECT, MINOR  
OR NO THREAT)

## PROTECTIVE MEASURES

**GENERAL GUIDELINES**

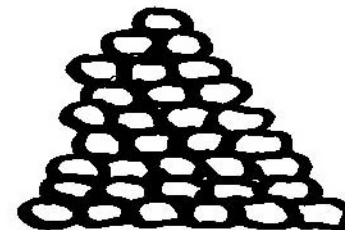
1. BUILD BARRICADE FAR ENOUGH AWAY FROM UXO SO IT CAN NOT FALL ON IT
2. ALWAYS INTERLOCK SANDBAGS
3. BUILD TALL ENOUGH TO DEFLECT FRAGMENTATION AND BLAST EFFECTS
4. UTILIZE THE MINIMUM NUMBER OF PERSONNEL
5. UTILIZE ALL PERSONAL PROTECTIVE EQUIPMENT

## CONSTRUCTION OF BARRICADES SANDBAGS / EARTH BERMS

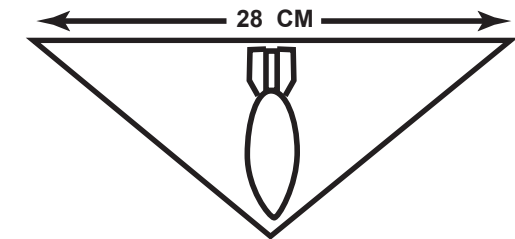
FULL CIRCLE ..... 105 MM AND SMALLER

SEMI-CIRCLE..... 105 MM UP TO 8 INCH

WALL.....LARGE MISSILE AND BOMBS



## GRAPHIC TRAINING AID GTA 09-12-001 UNEXPLODED ORDNANCE (UXO) PROCEDURES



### UXO MARKER

WHITE BOMB ON A  
RED BACKGROUND

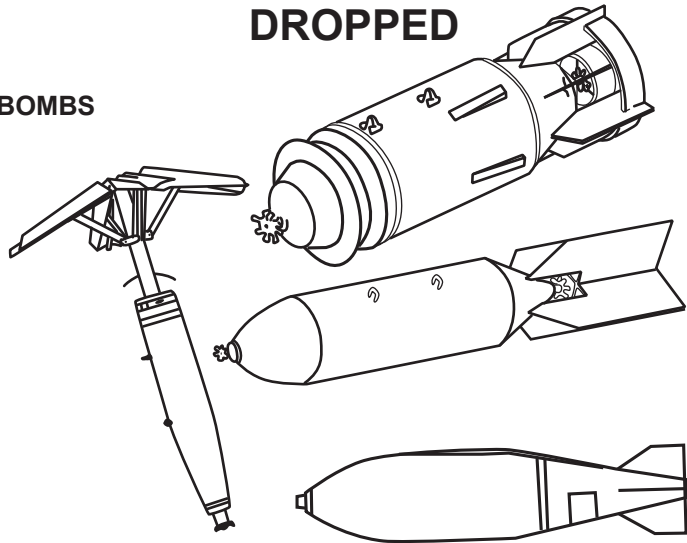
March, 2007

**DISTRIBUTION: US Army Training and Audio-visual Support Centers (TASC)**

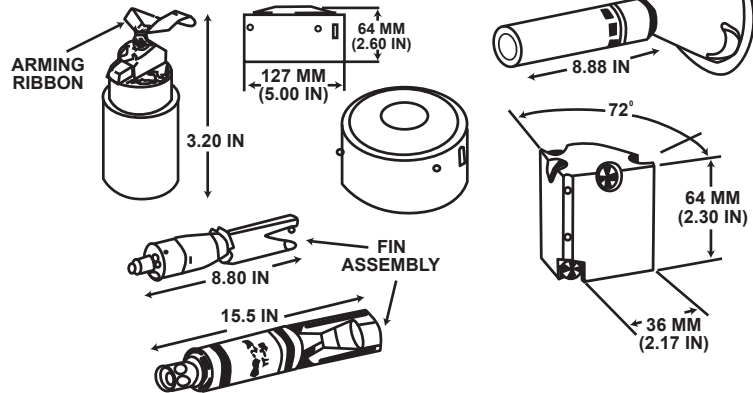
**DISTRIBUTION RESTRICTION:** This publication contains technical or operational information that is for official government use only. Distribution is limited to US government agencies. Requests from outside the US government for release of this publication under the Freedom of Information Act or the Foreign Military Sales Program must be made to HQ TRADOC, Fort Monroe, VA 23651.

# DROPPED

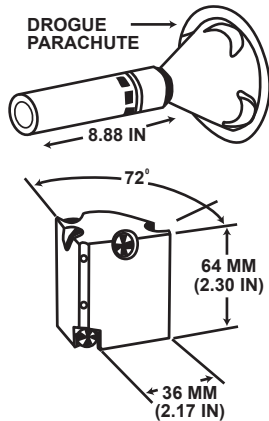
## BOMBS



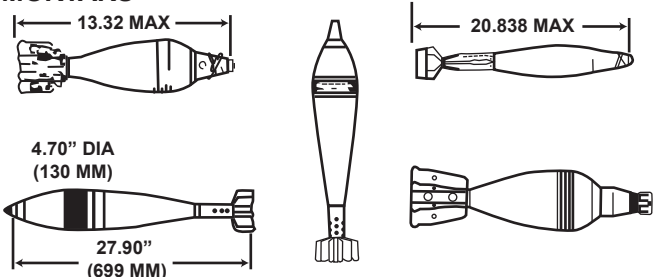
## SUB-MUNITIONS



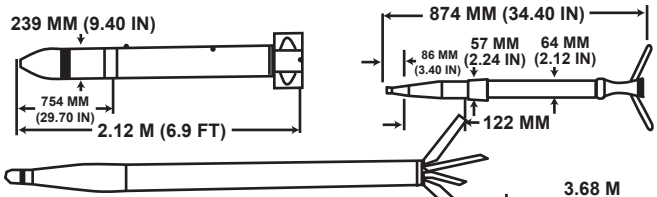
## DROGUE PARACHUTE



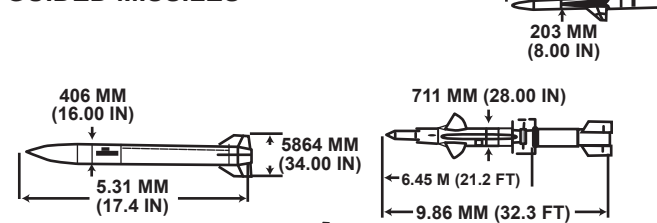
## MORTARS



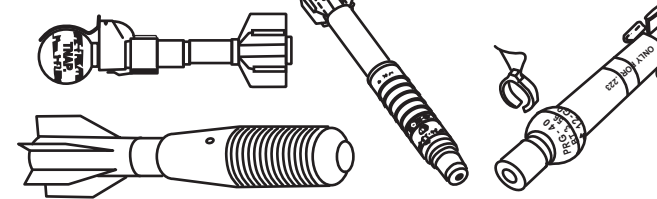
## ROCKETS



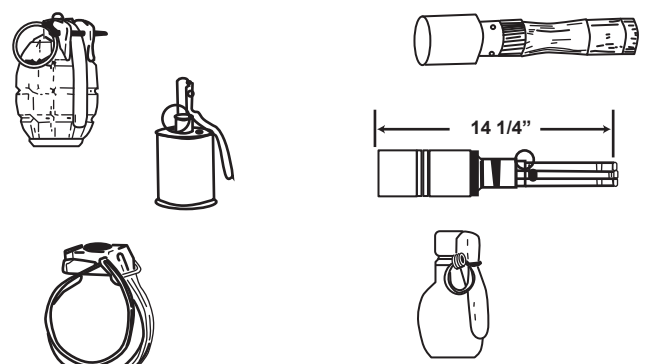
## GUIDED MISSILES



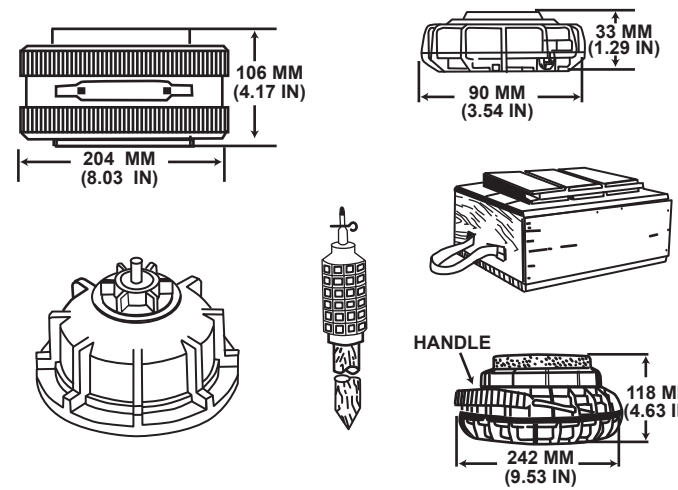
## RIFLE GRENADES



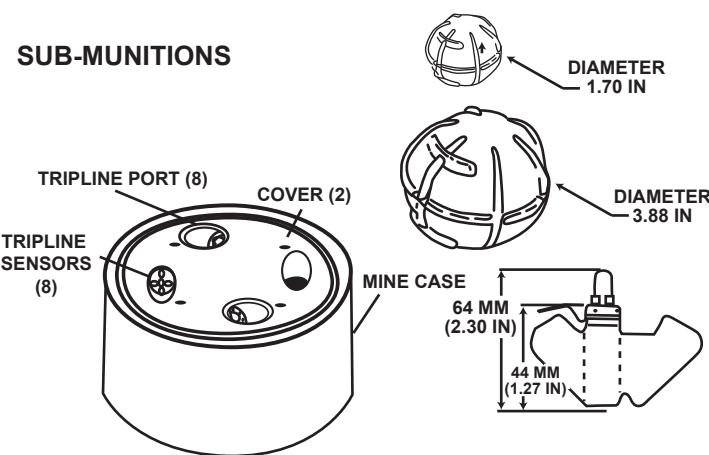
# THROWN



# PLACED



## SUB-MUNITIONS



## PROJECTILES

