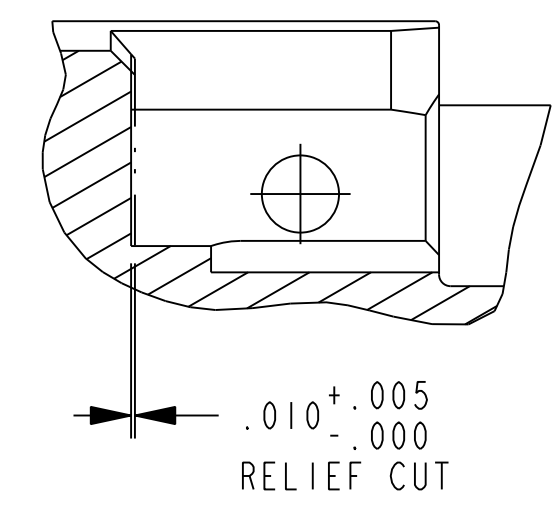
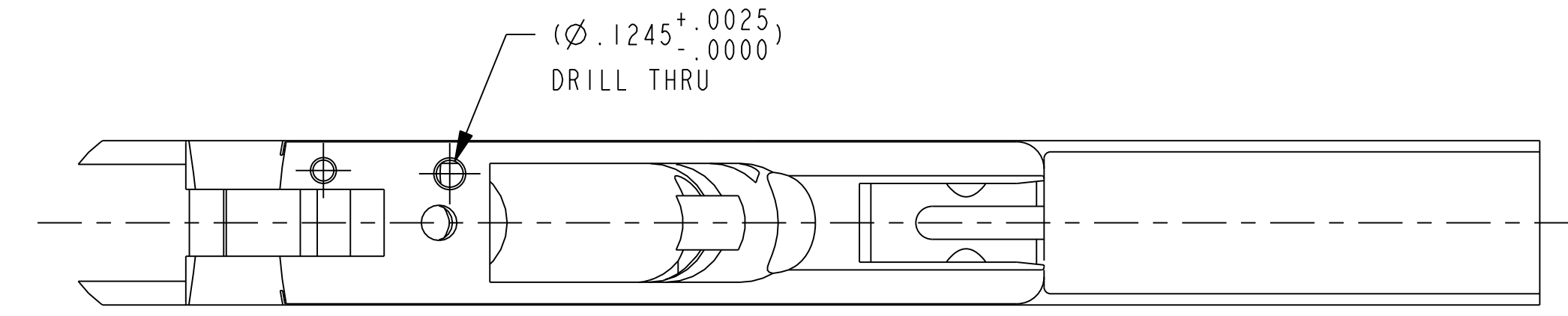
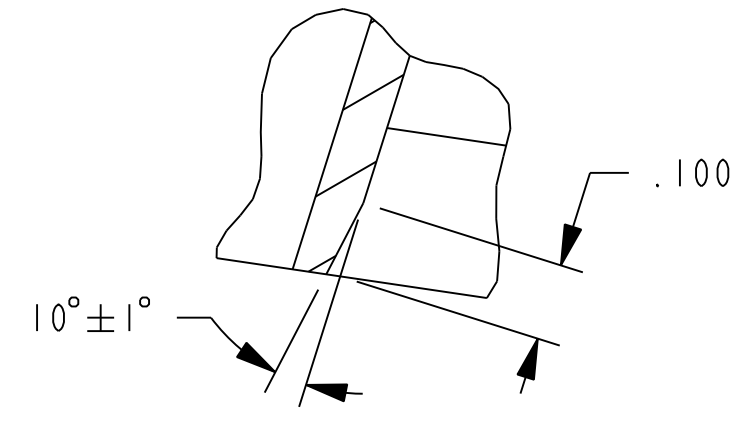
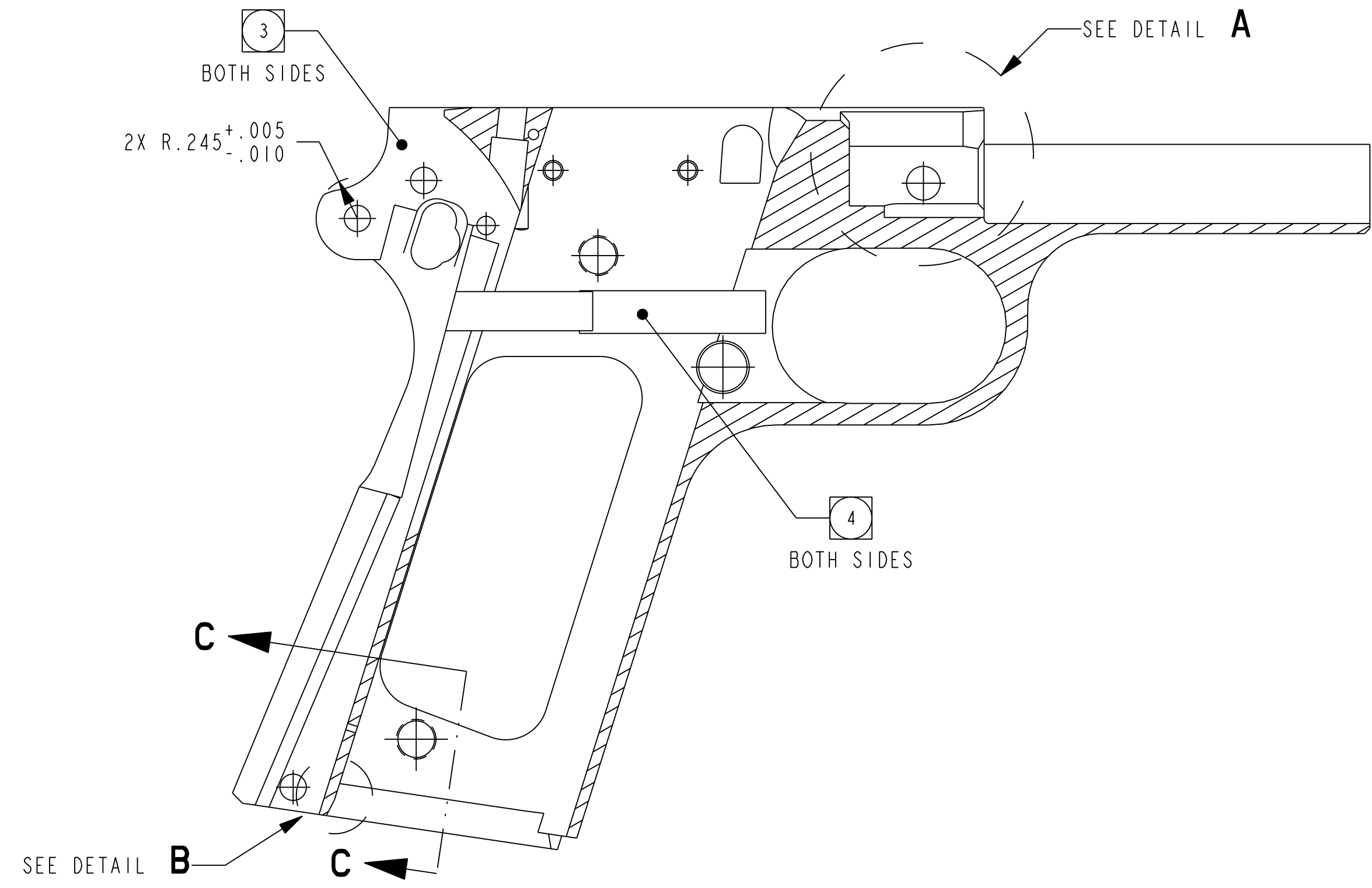


DWG NO. 07005B0002		REV 1	REV -
REVISION			
ZONE	REV	DESCRIPTION	DATE (YY-MM-DD)
		APPROVED	

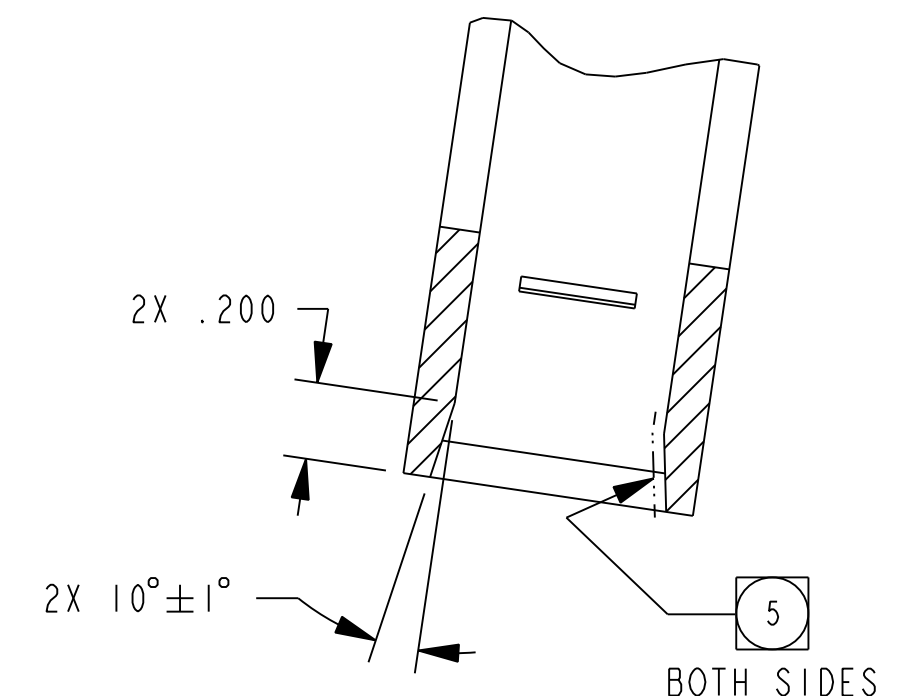
- NOTES:
1. MAKE FROM PART MANUFACTURED TO DRAWING 07005B0001.
  2. ALTERED RECEIVER SHALL BE PACKAGED IN ACCORDANCE WITH MIL-STD-2073-1, METHOD 41, AND MARKED WITH "01365-07005B0002-[REV]" IN ACCORDANCE WITH MIL-STD-130.
  3. POLISH INDICATED SURFACES.
  4. POLISH SURFACES OF TRIGGER RAIL.
  5. CHAMFER EDGES OF MAGAZINE WELL AS SHOWN. POLISH ALL AROUND AFTER CUT.



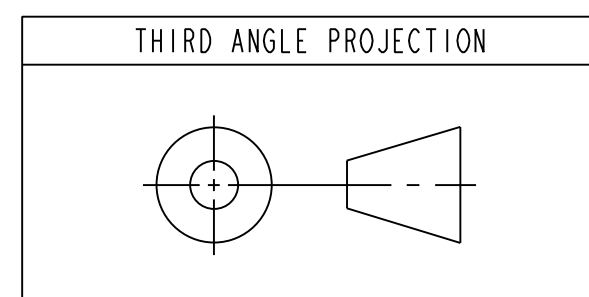
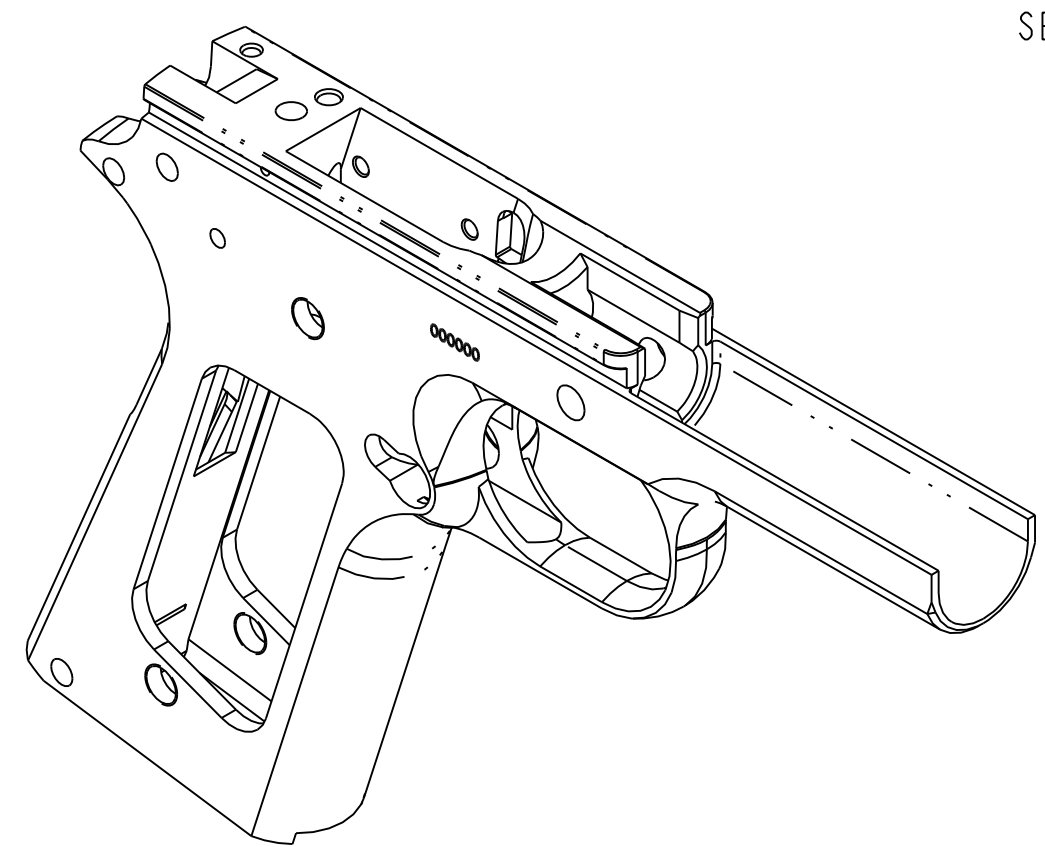
**DETAIL A**  
SCALE 2/1



**DETAIL B**  
SCALE 4/1



**SECTION C-C**  
SCALE 2/1



DISTRIBUTION STATEMENT F: FURTHER DISSEMINATION ONLY AS DIRECTED BY ORDNANCE TESTING FACILITY, MARINE CORPS SYSTEMS COMMAND (01 MAR 2007) OR HIGHER DOD AUTHORITY.

DESTRUCTION NOTICE: FOR CLASSIFIED, LIMITED DOCUMENTS AND SENSITIVE DOCUMENTATION, THIS DOCUMENT SHALL BE DESTROYED BY ANY METHOD THAT WILL PREVENT DISCLOSURE OF CONTENTS OR RECONSTRUCTION OF THIS DOCUMENT.

07005B0000	PISTOL, AUTOMATIC, 45 CAL, 1911, MEU (SOC)
NEXT ASSY	USED ON
APPLICATION	

UNLESS OTHERWISE SPECIFIED, DIMENSIONS ARE IN INCHES. TOLERANCES ON:		CONTRACTOR: NSWC DAHLGREN DIVISION G32 MINOR CALIBER GROUP 18106 PHALANX DR SUITE 106 DAHLGREN VA 22448-5123		PART NO. 07005B0002	
FRACTION	xx DECIMAL	xxx DECIMAL	ANGLE	DEPARTMENT OF THE NAVY UNITED STATES MARINE CORPS ALBANY, GA 31704	
± .001	± .005	± .010	± .001	TITLE	
DEPT NAME MINOR CALIBER GROUP		DATE (YY-MM-DD)	DRAWN BY PCT	RECEIVER	
DEPT LEAD			REVIEWED BY	SIZE   CAGE CODE   DRAWING NO.   REV	
ENGINEER			DESIGN ACTIVITY APPROVAL	D 01365   07005B0002   -	
ENVIRONMENTAL			APPROVED	SCALE: NONE   CALC WT   SHEET 1 OF 1	

**ALTERED ITEM DRAWING**

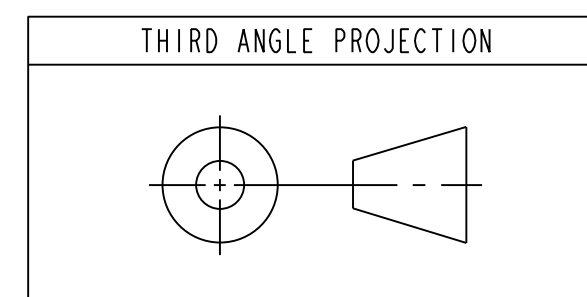
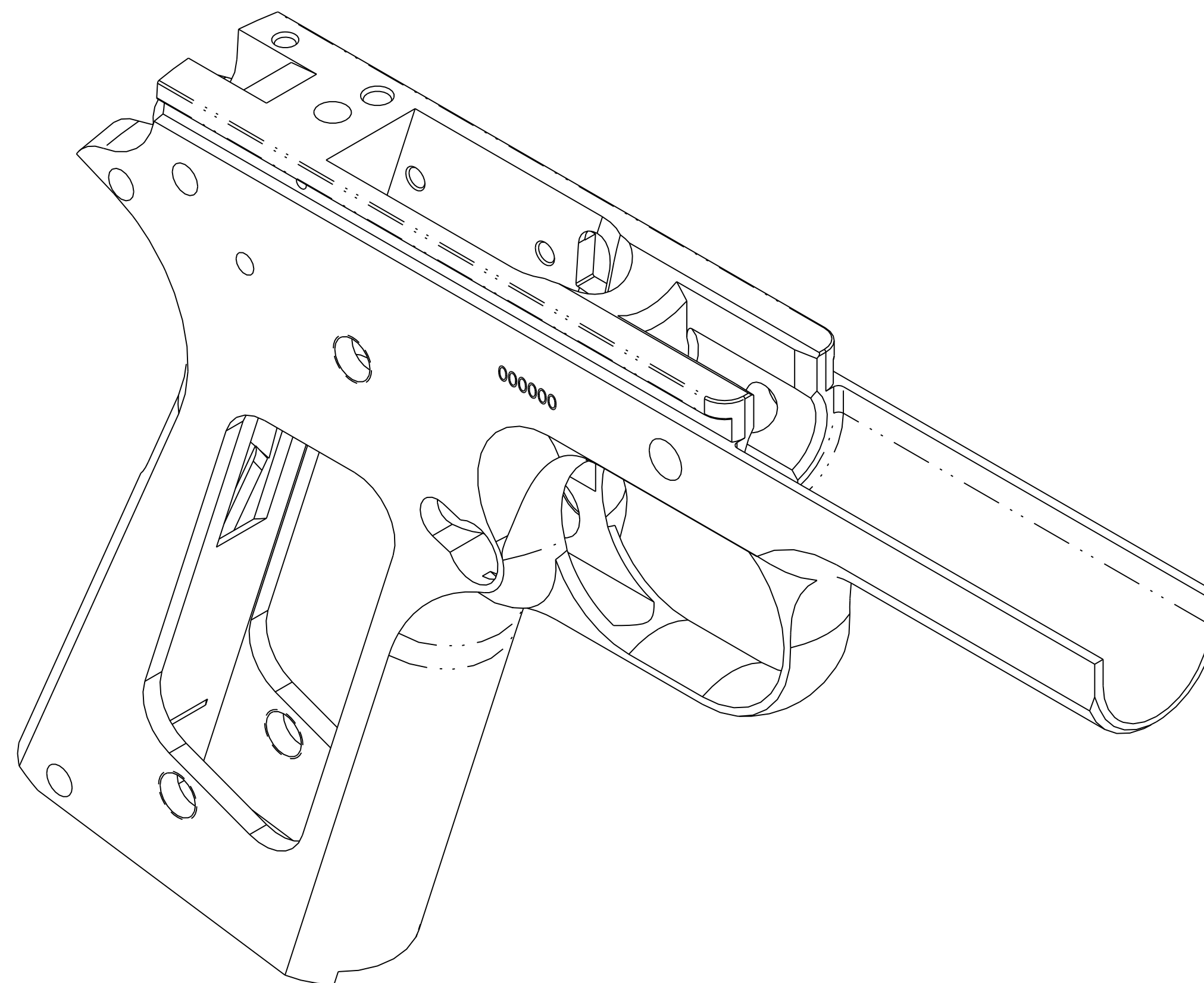
DATUM LOCATION		
DATUM	SHEET	ZONE
A	2	C-5
B	2	B-7
C	2	A-5
D	2	B-5
E	2	A-7
F	2	B-7
G	2	B-1
H	3	B-1
K	4	B-4
L	4	A-6
T	2	B-4
U	3	C-3
X	3	C-6

REV STATUS	
REV	SH
-	1
-	2
-	3
-	4
-	5

DWG NO.	07005B0001	SH	1	REV	-
REVISION					
ZONE	REV	DESCRIPTION	DATE (YY-MM-DD)	APPROVED	

NOTES:

1. UNLESS OTHERWISE SPECIFIED:
  - 1.1 REMOVE BURRS AND BREAK SHARP EDGES .005 MAX.
  - 1.2 INSIDE CORNERS R .005 MAX.
  - 1.3 SURFACE ROUGHNESS 125/
2. MATERIAL: STEEL, CARBON, GRADE 1035 OR 1127 PER ASTM A576 OR ASTM A108.
3. HEAT TREAT: TBD
4. SURFACE FINISH:
  - 4.1 PHOSPHATE COAT IN ACCORDANCE WITH A-A-59267, TYPE M, COLOR BLACK.
  - 4.2 LUBRICATING OIL, FINISH 5.3.1.2 IN ACCORDANCE WITH MIL-STD-171.
5. UNLESS OTHERWISE SPECIFIED, DIMENSIONAL LIMITS APPLY AFTER NOTE 4.1.
6. REQUIREMENTS OF MIL-W-13855 APPLY.
7. ENGRAVE THE FOLLOWING TO A DEPTH OF .006 MIN IN LOCATION SHOWN IN GOTHIC CHARACTERS IN ACCORDANCE MIL-STD-130. SEE SHEET 6 FOR RECEIVER MARKING DETAIL.
  - 7.1 SN (AS ASSIGNED)
  - 7.2 INSPECTION SYMBOL, WHEN REQUIRED
8. RECEIVER SHALL BE PACKAGED IN ACCORDANCE WITH MIL-STD-2073-1, METHOD 41, AND MARKED WITH "01365-07005B0001-[REV]" IN ACCORDANCE WITH MIL-STD-130.
9. INTERPRET DRAWING IN ACCORDANCE WITH ASME Y14.100 AND INTERPRET DIMENSIONING AND TOLERANCING IN ACCORDANCE WITH ASME Y14.5M-1994.



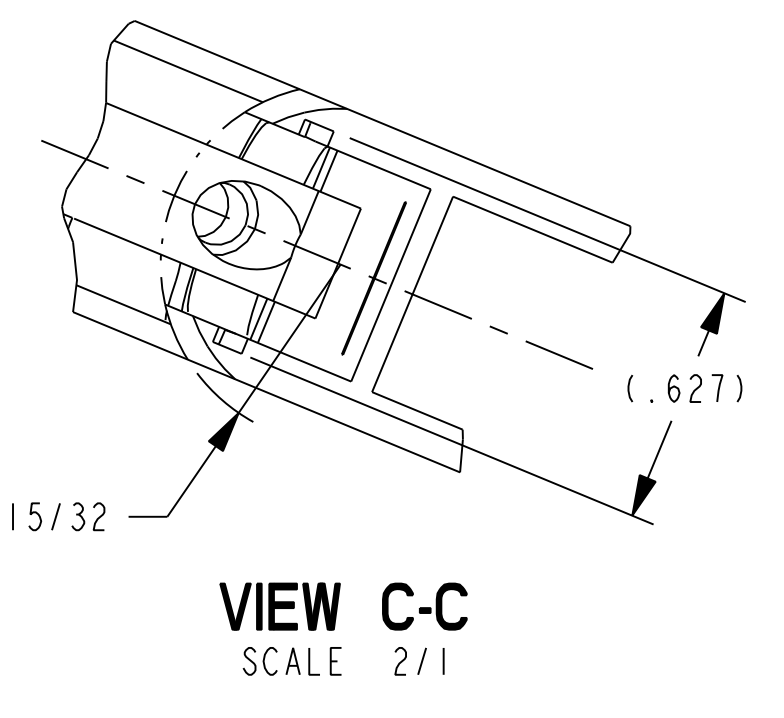
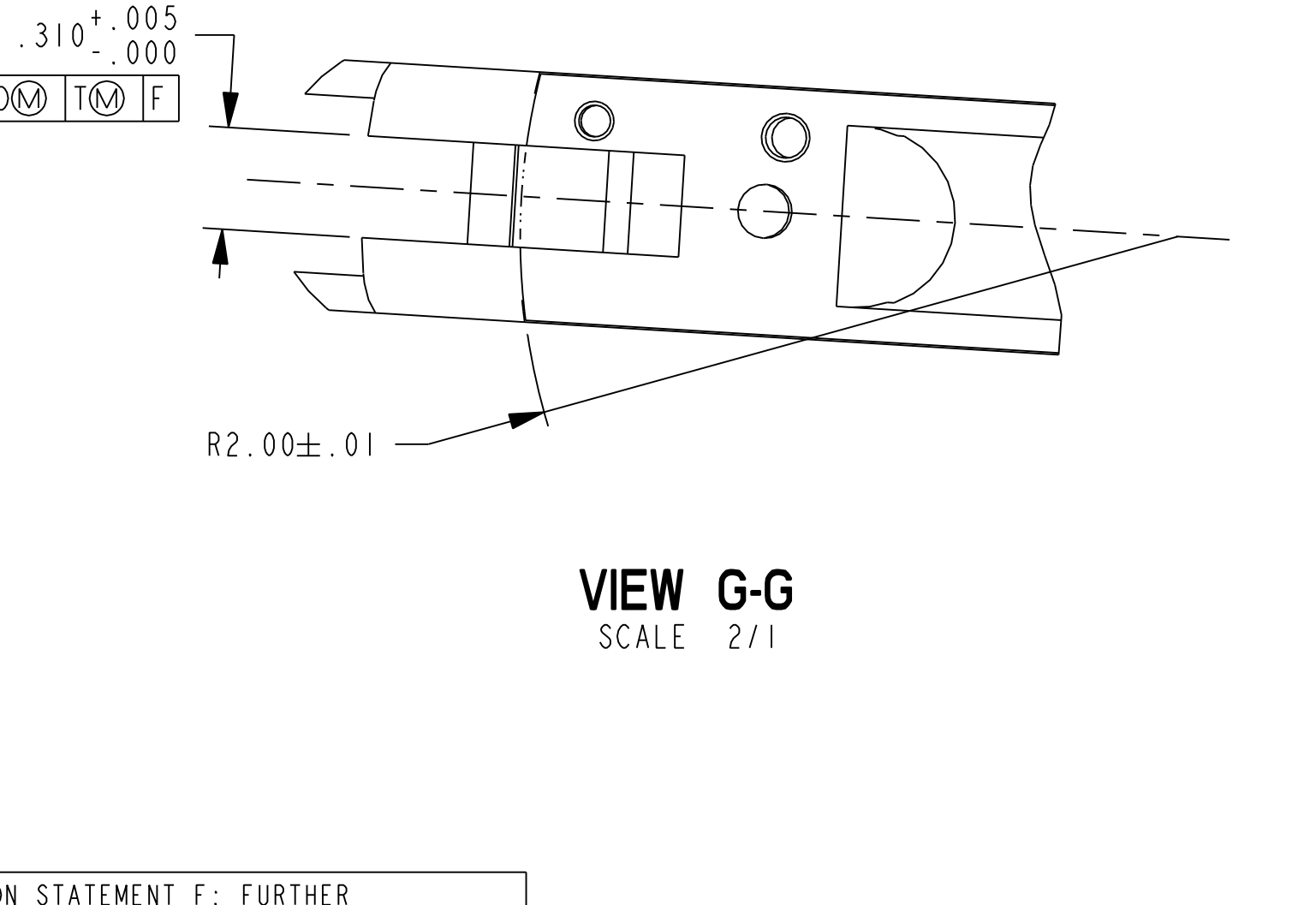
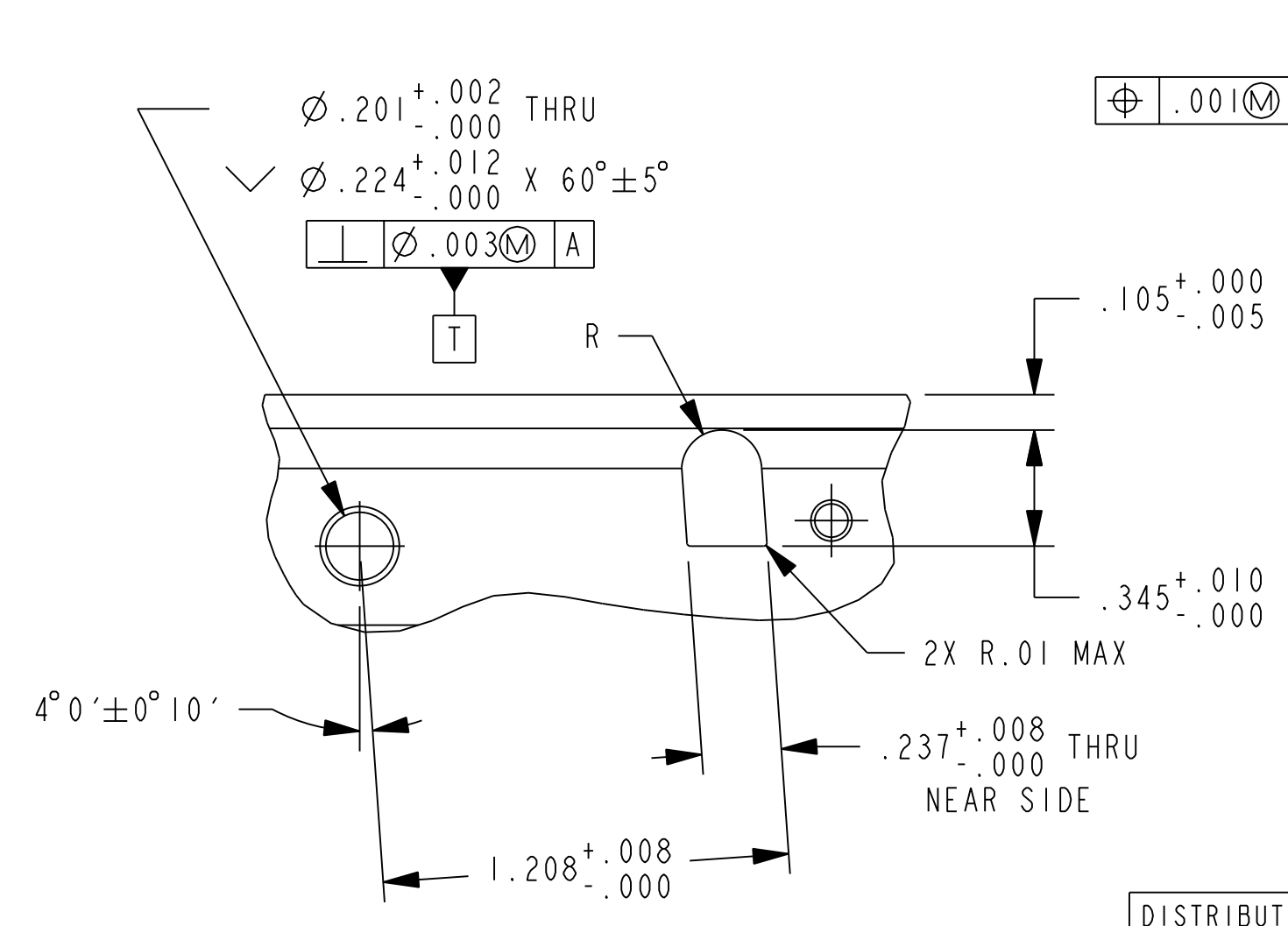
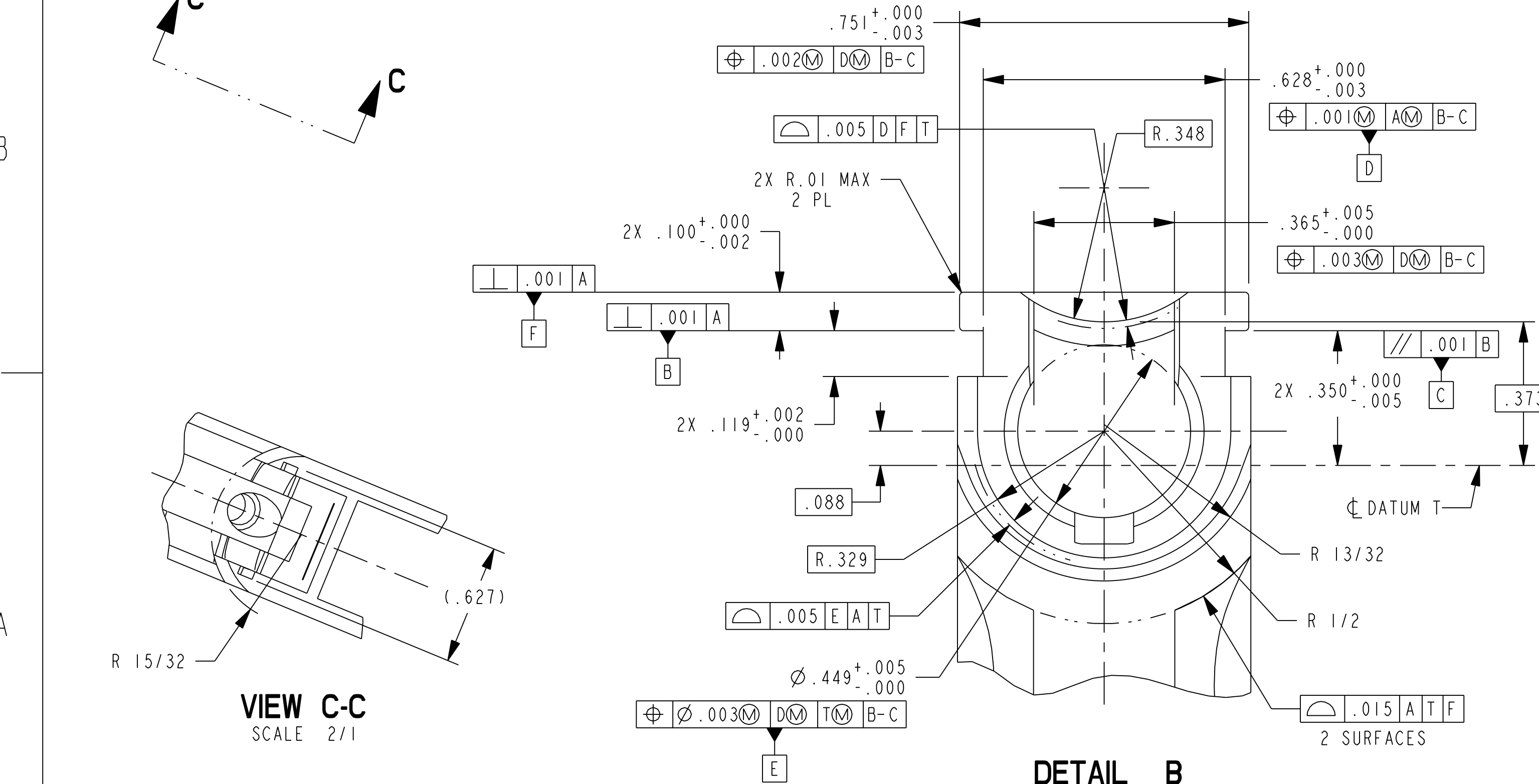
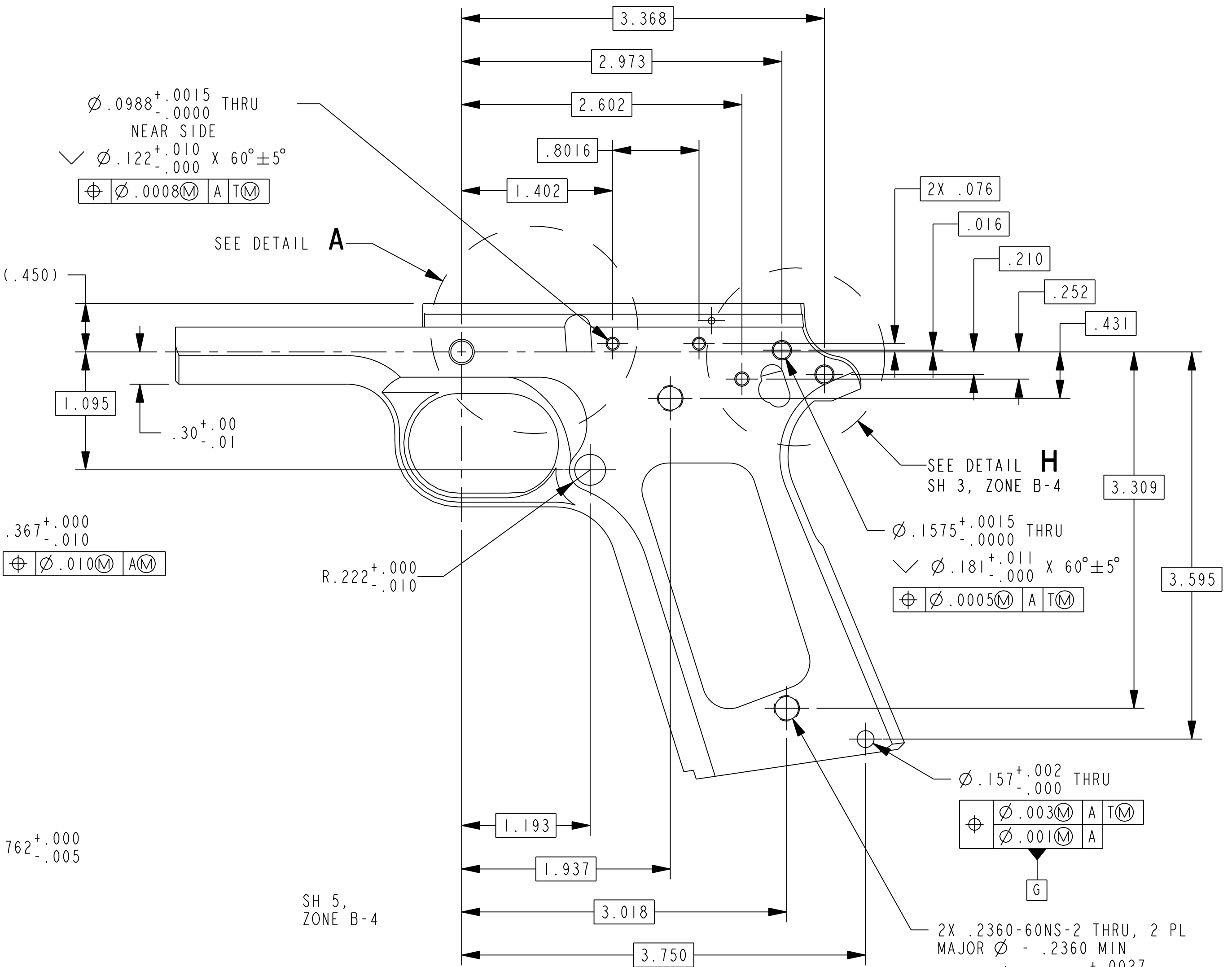
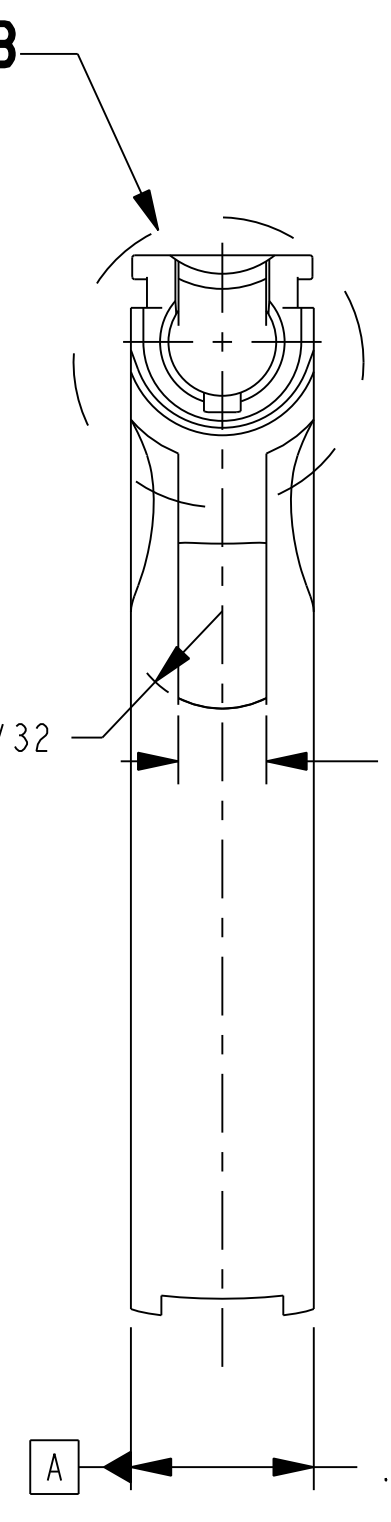
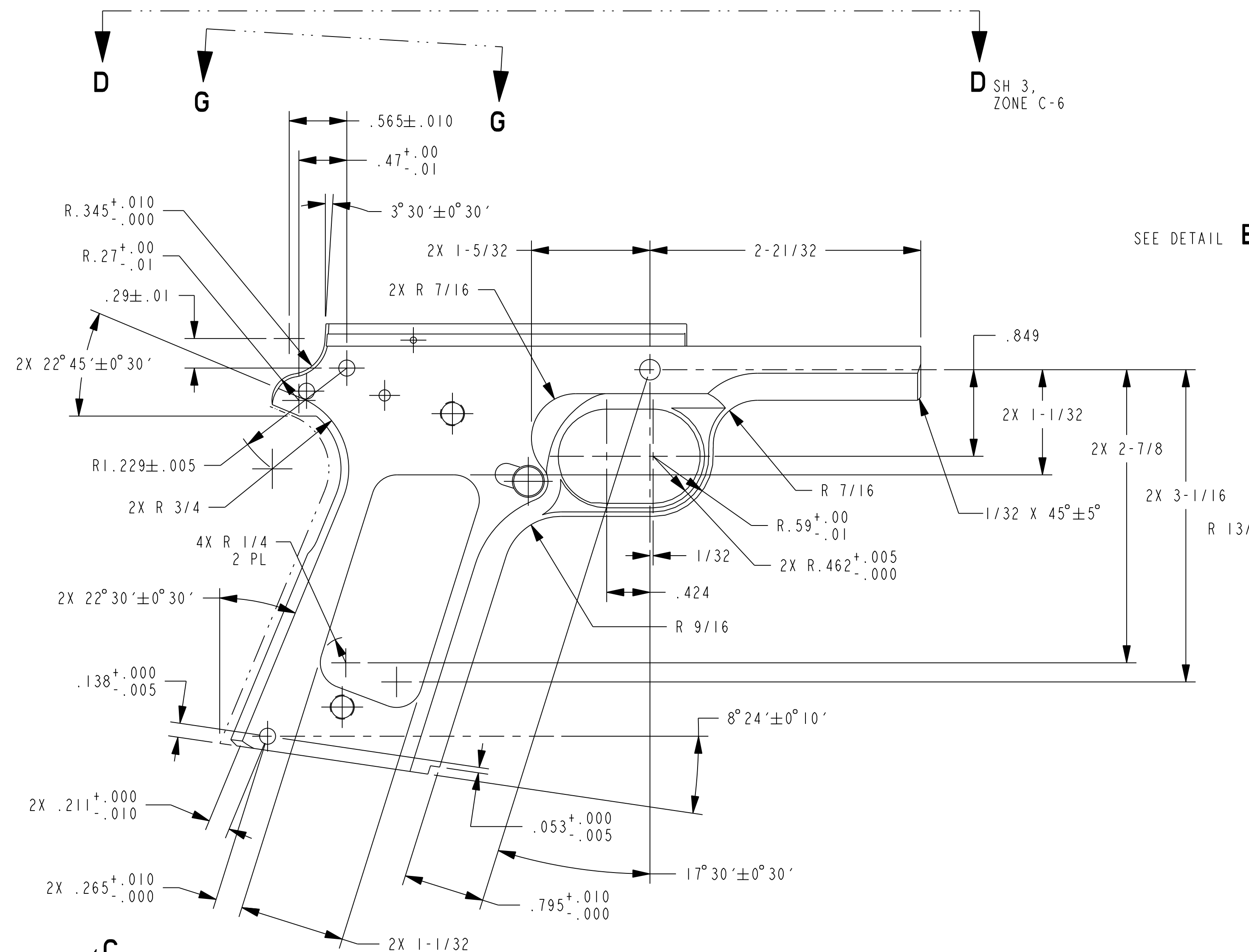
DISTRIBUTION STATEMENT F: FURTHER DISSEMINATION ONLY AS DIRECTED BY ORDNANCE TESTING FACILITY, MARINE CORPS SYSTEMS COMMAND (01 MAR 2007) OR HIGHER DOD AUTHORITY.

DESTRUCTION NOTICE: FOR CLASSIFIED, LIMITED DOCUMENTS AND SENSITIVE DOCUMENTATION, THIS DOCUMENT SHALL BE DESTROYED BY ANY METHOD THAT WILL PREVENT DISCLOSURE OF CONTENTS OR RECONSTRUCTION OF THIS DOCUMENT.

07005B0002	PISTOL, AUTOMATIC, 45 CAL, 1911, MEU (SOC)
NEXT ASSY	USED ON
APPLICATION	

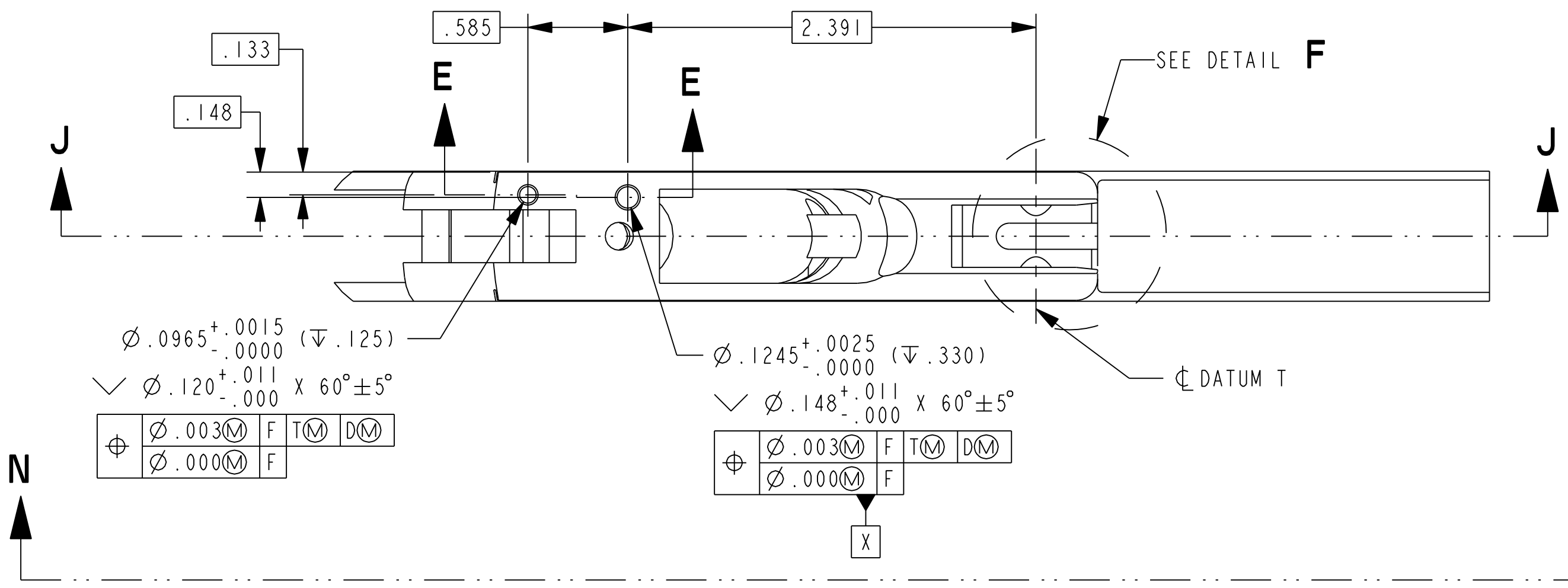
UNLESS OTHERWISE SPECIFIED, DIMENSIONS ARE IN INCHES. TOLERANCES ON:				CONTRACTOR: NSWC DAHLGREN DIVISION G32 MINOR CALIBER GROUP 18106 PHALANX DR SUITE 106 DAHLGREN VA 22448-5123	
FRACTION	± 1/64	XX DECIMAL	± .002	XXX DECIMAL	± .002
ANGLE	± .002	DATE (YY-MM-DD)			
DEPT NAME	MINOR CALIBER GROUP	DEPT LEAD	ENGINEER	ENVIRONMENTAL	DATE (YY-MM-DD)
DRAWN BY PCT			DATE (YY-MM-DD) 07/04/23		
DESIGN ACTIVITY APPROVAL			APPROVED		

PART NO. 07005B0001		
DEPARTMENT OF THE NAVY UNITED STATES MARINE CORPS ALBANY, GA 31704		
TITLE <b>RECEIVER, MEU (SOC)</b>		
SIZE	CAGE CODE	DRAWING NO.
D	01365	07005B0001
SCALE:	2/1	SHEET 1 OF 5

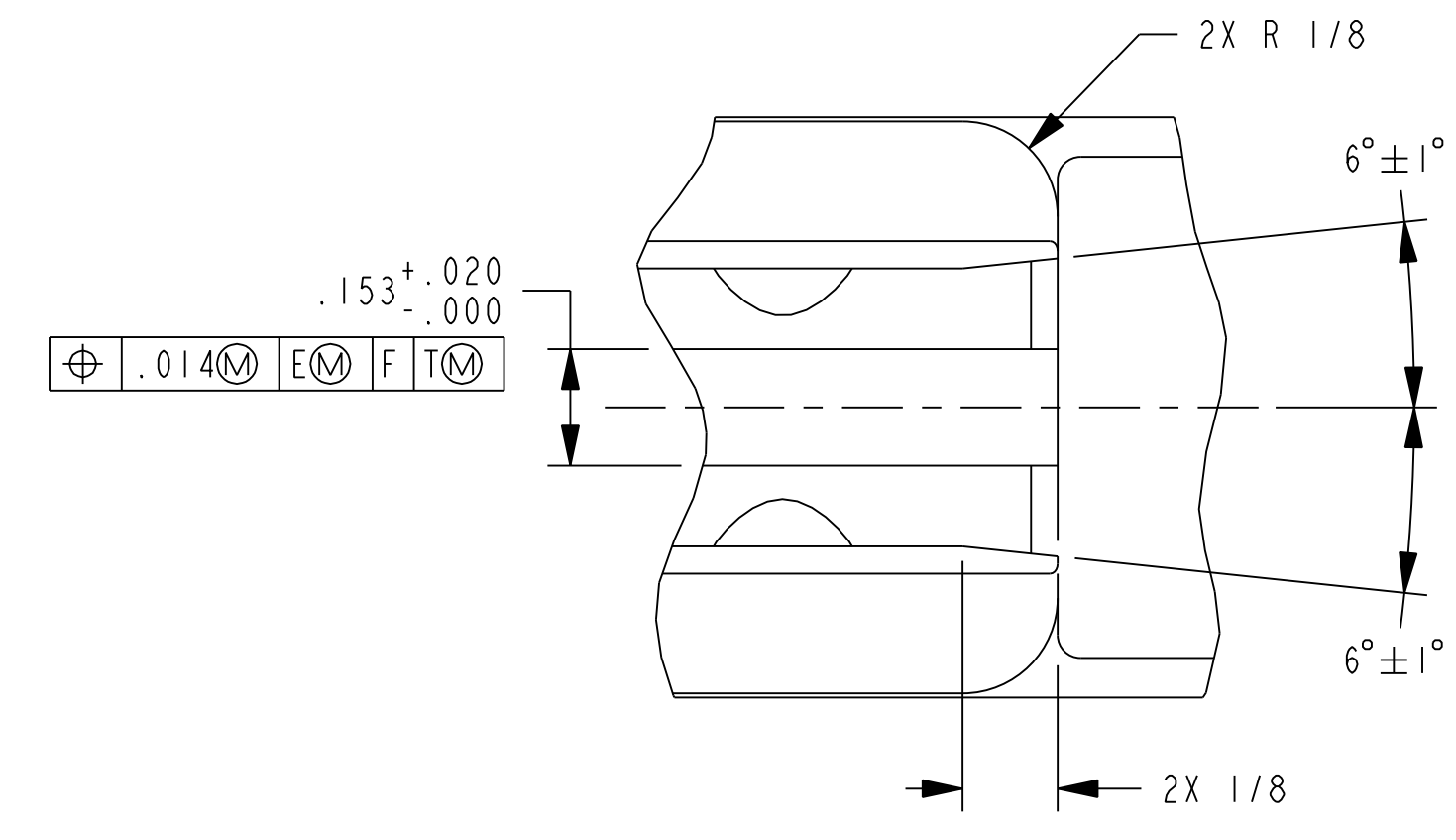


DISTRIBUTION STATEMENT F: FURTHER DISSEMINATION ONLY AS DIRECTED BY ORDNANCE TESTING FACILITY, MARINE CORPS SYSTEMS COMMAND (01 MAR 2007) OR HIGHER DOD AUTHORITY.  
 DESTRUCTION NOTICE: FOR CLASSIFIED, LIMITED DOCUMENTS AND SENSITIVE DOCUMENTATION, THIS DOCUMENT SHALL BE DESTROYED BY ANY METHOD THAT WILL PREVENT DISCLOSURE OF CONTENTS OR RECONSTRUCTION OF THIS DOCUMENT.

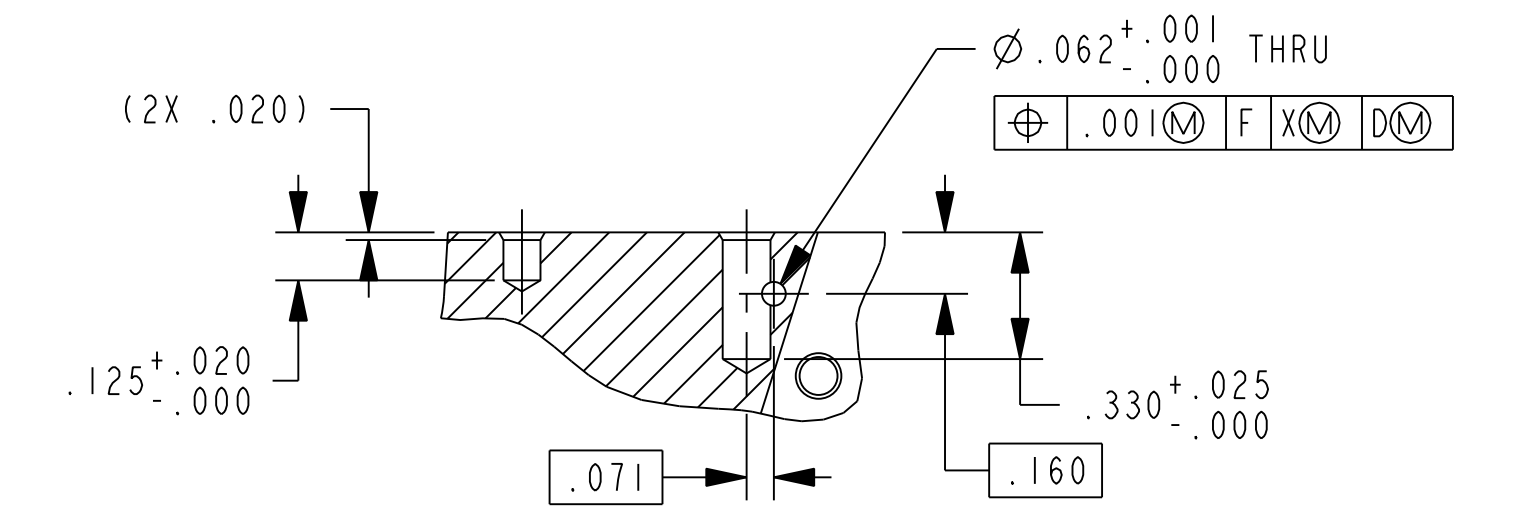
SIZE	CAGE CODE	DRAWING NO.	REV
D	01365	07005B0001	-
SCALE:	NONE	SHEET	2



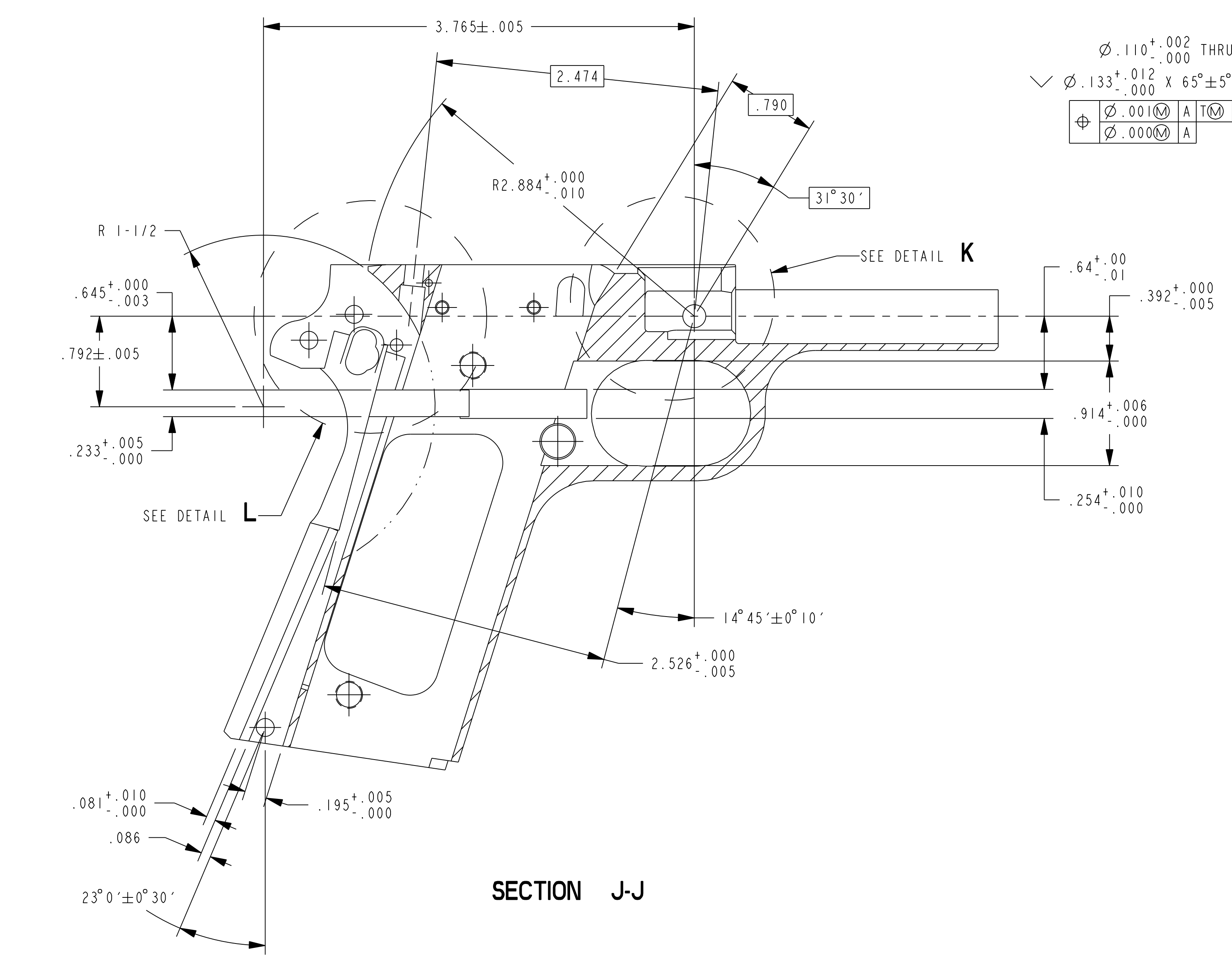
**VIEW D-D**  
SH 2, ZONE D-5



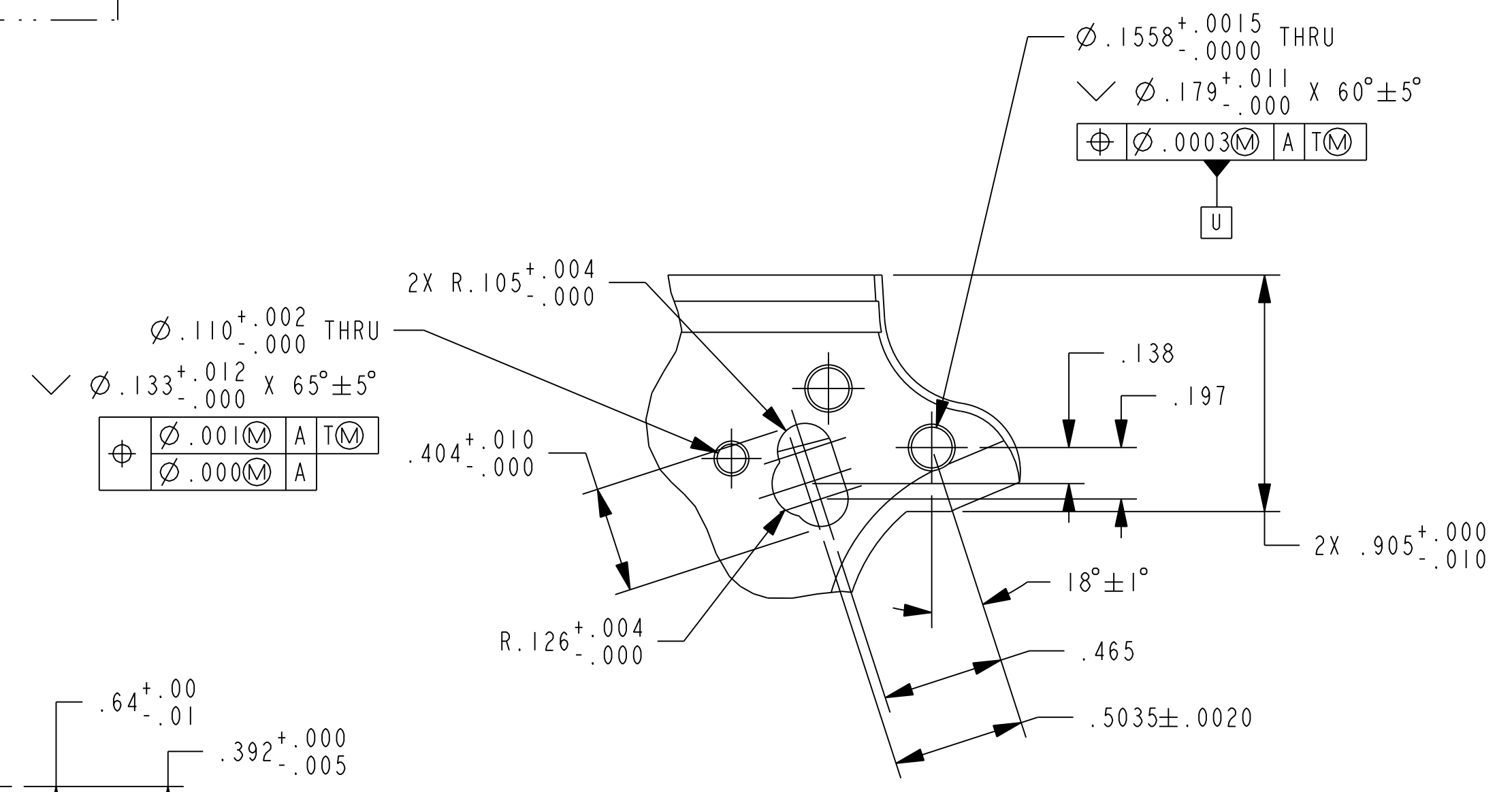
**DETAIL F**  
SCALE 4/1



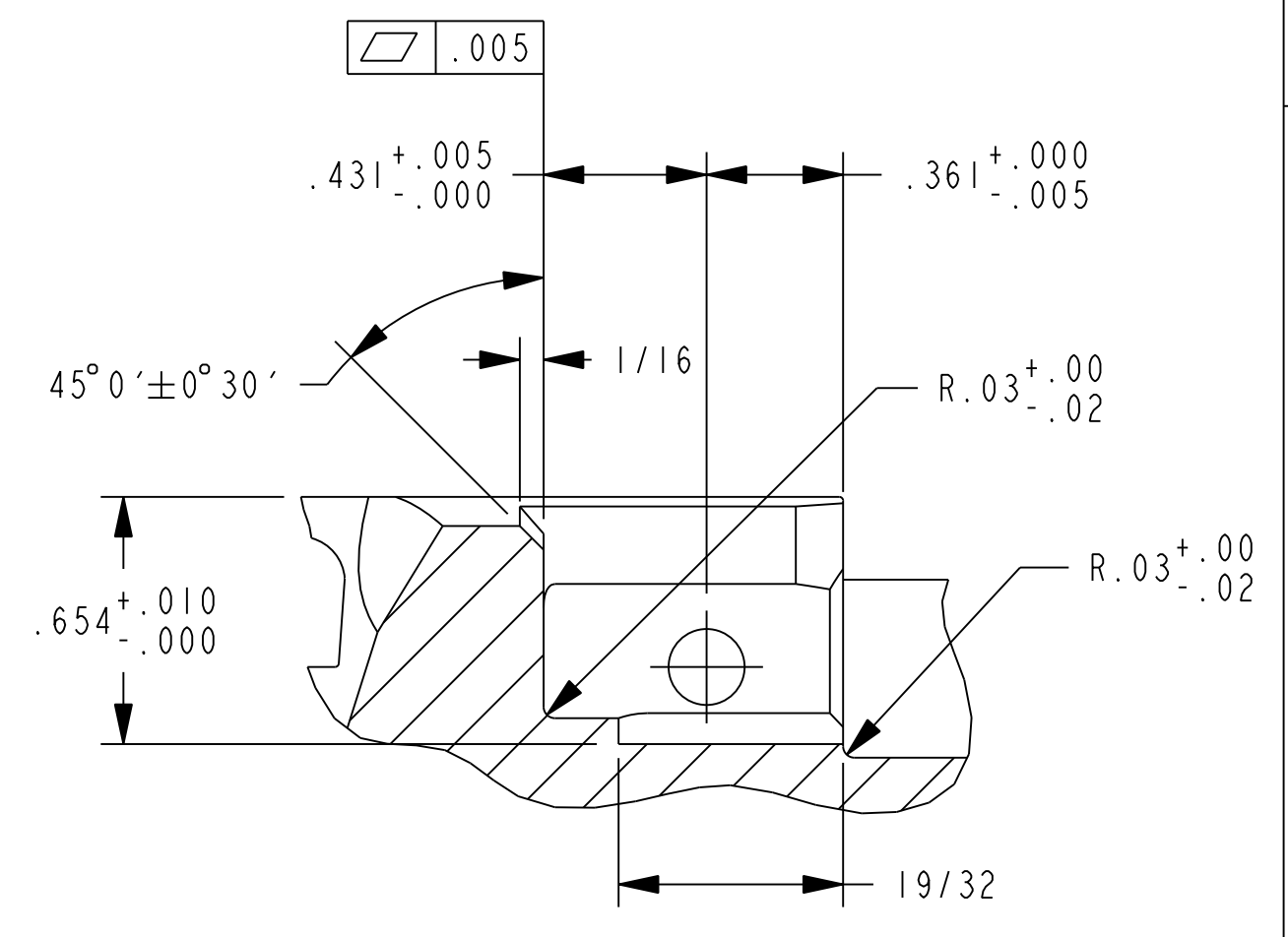
**SECTION E-E**  
SCALE 2/1



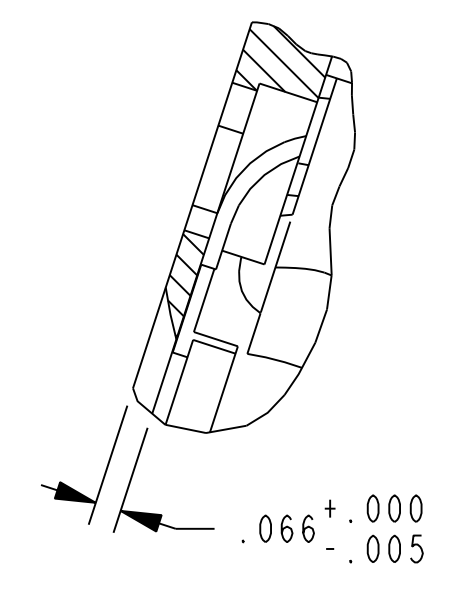
**SECTION J-J**



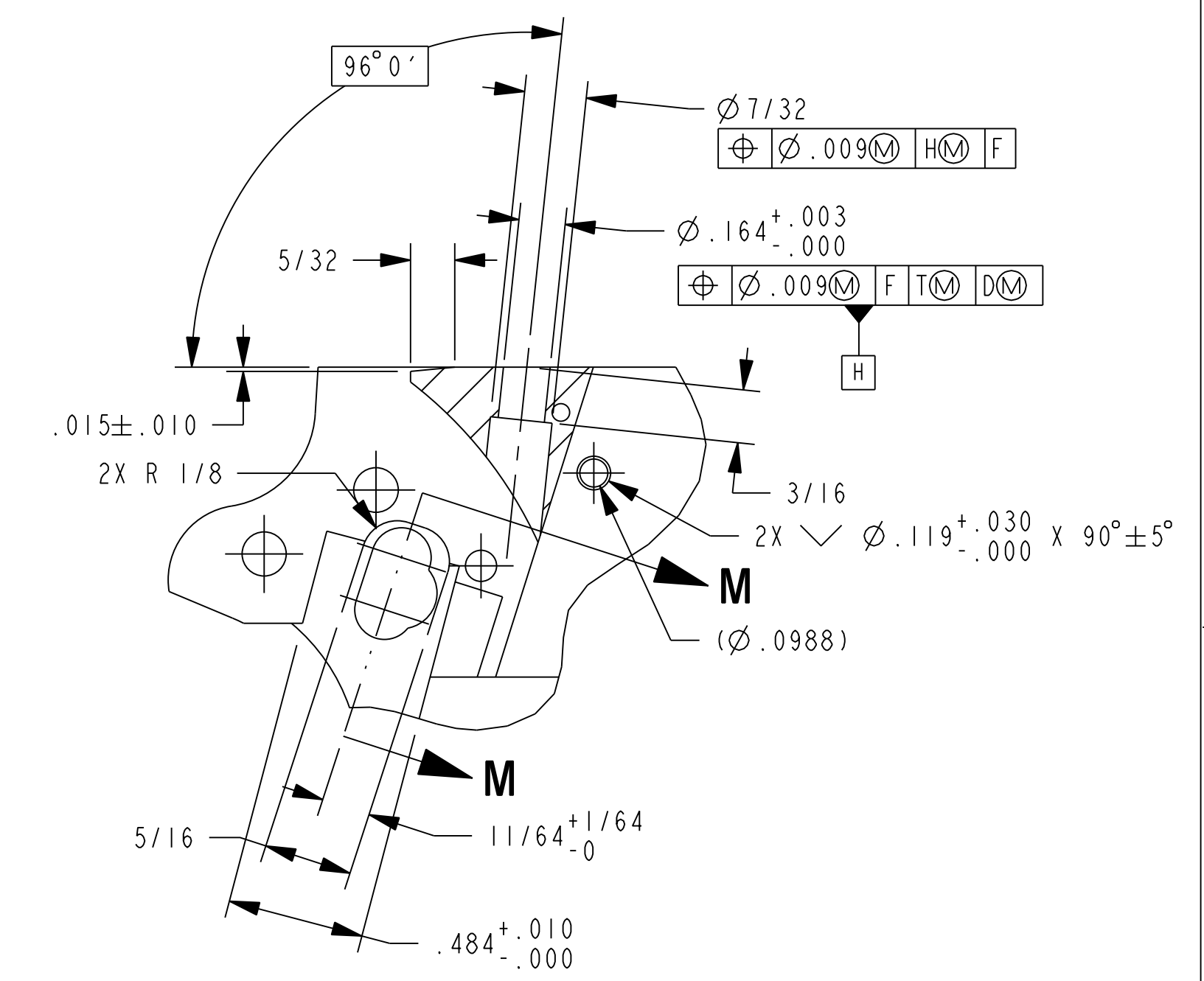
**DETAIL H**  
SCALE 2/1  
SH 2, ZONE C-2



**DETAIL K**  
SCALE 2/1



**SECTION M-M**

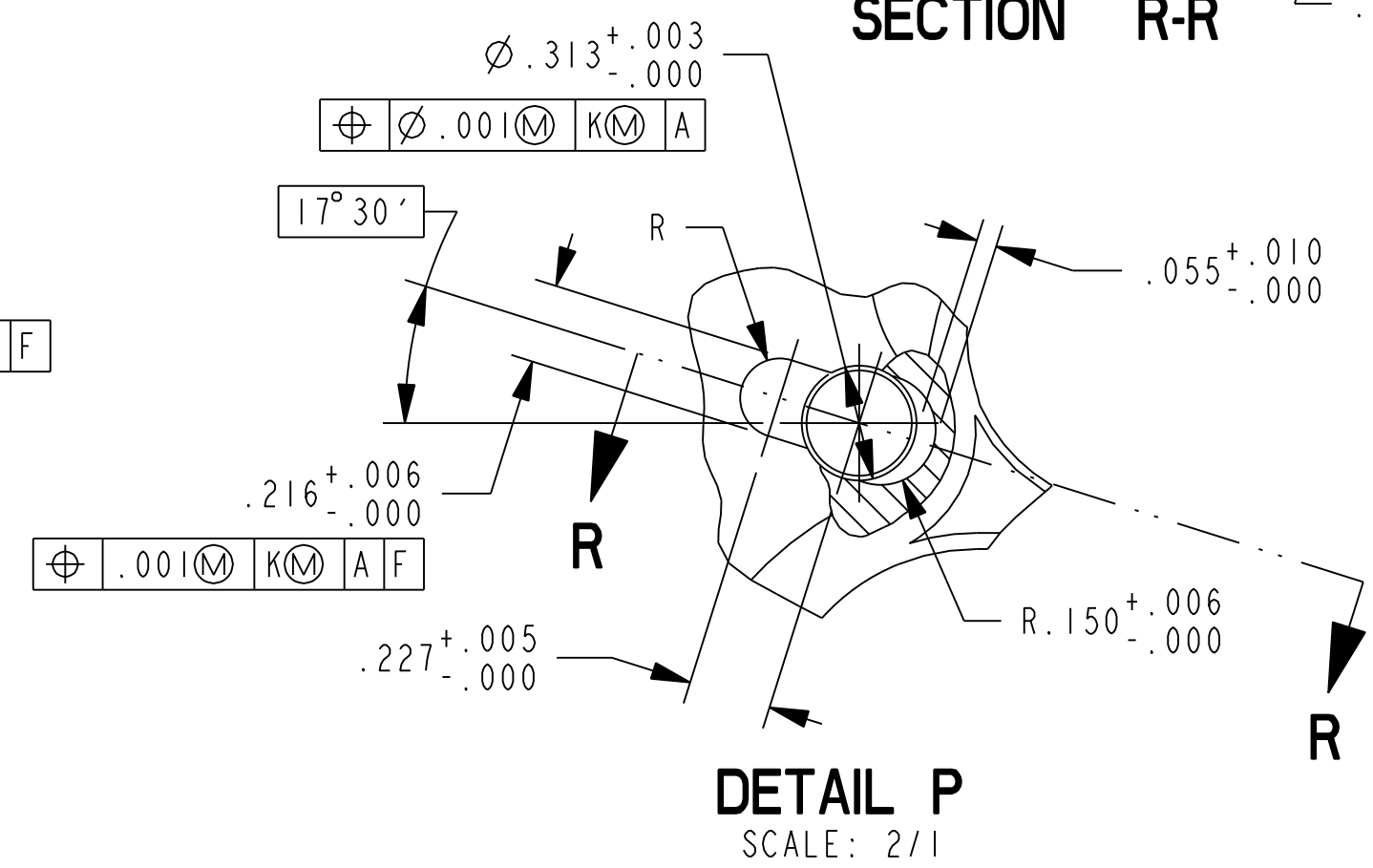
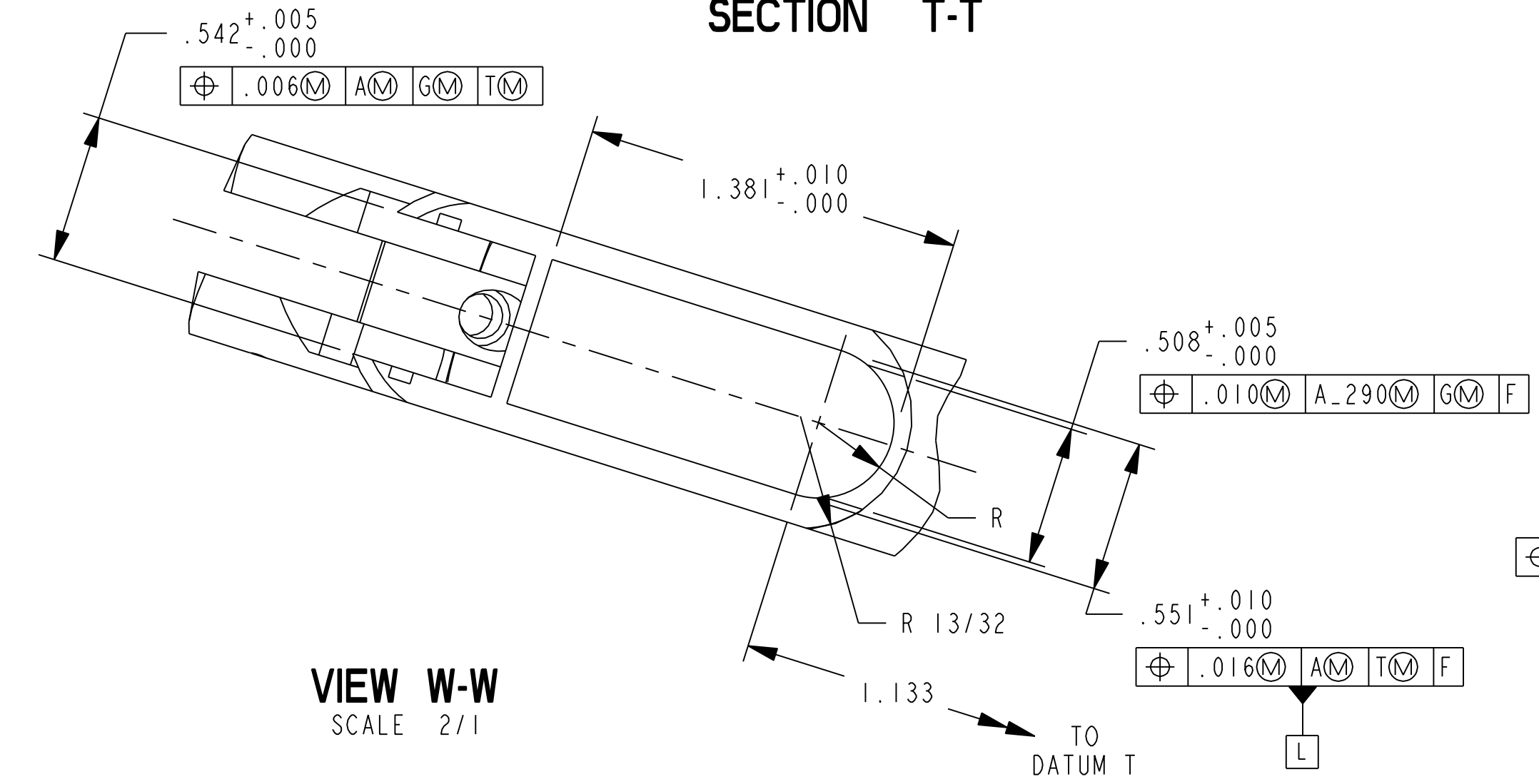
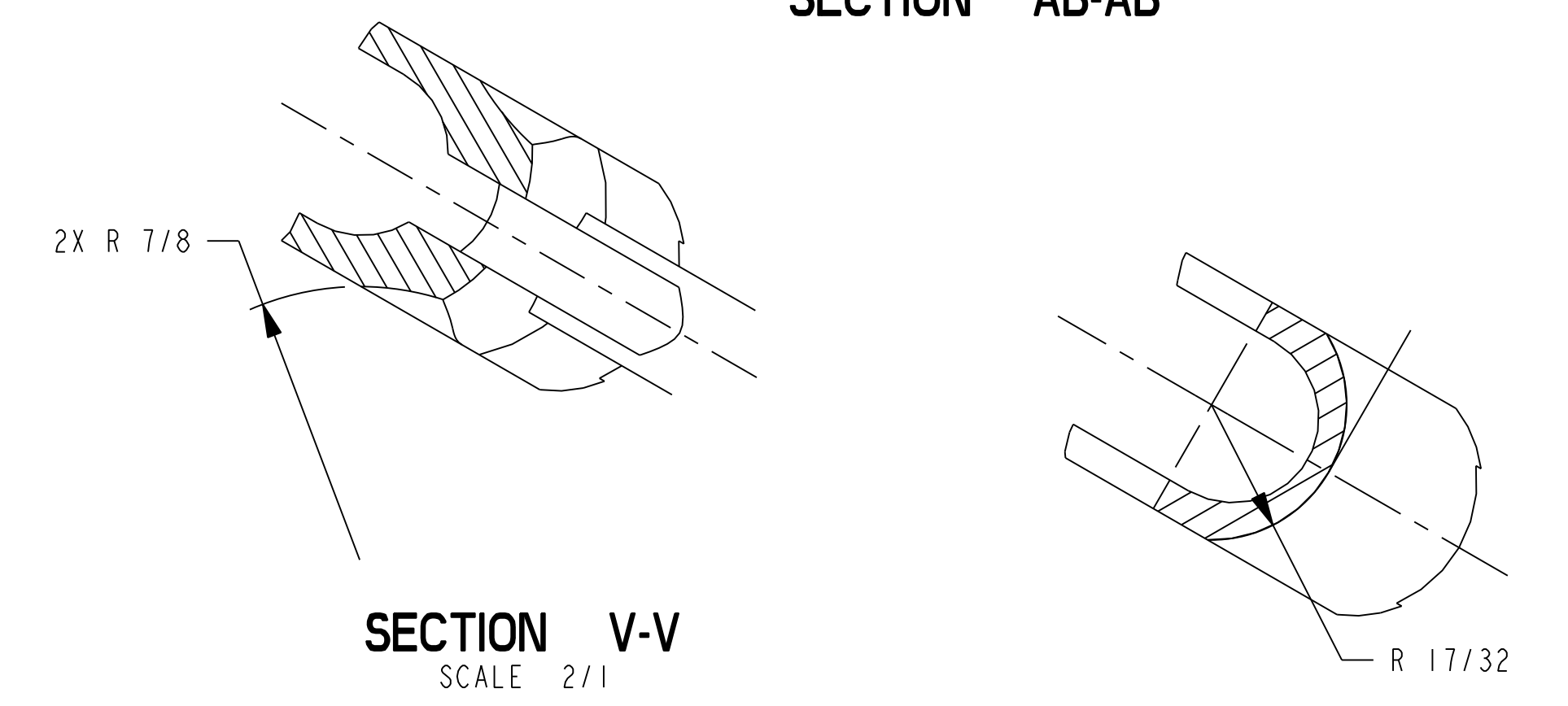
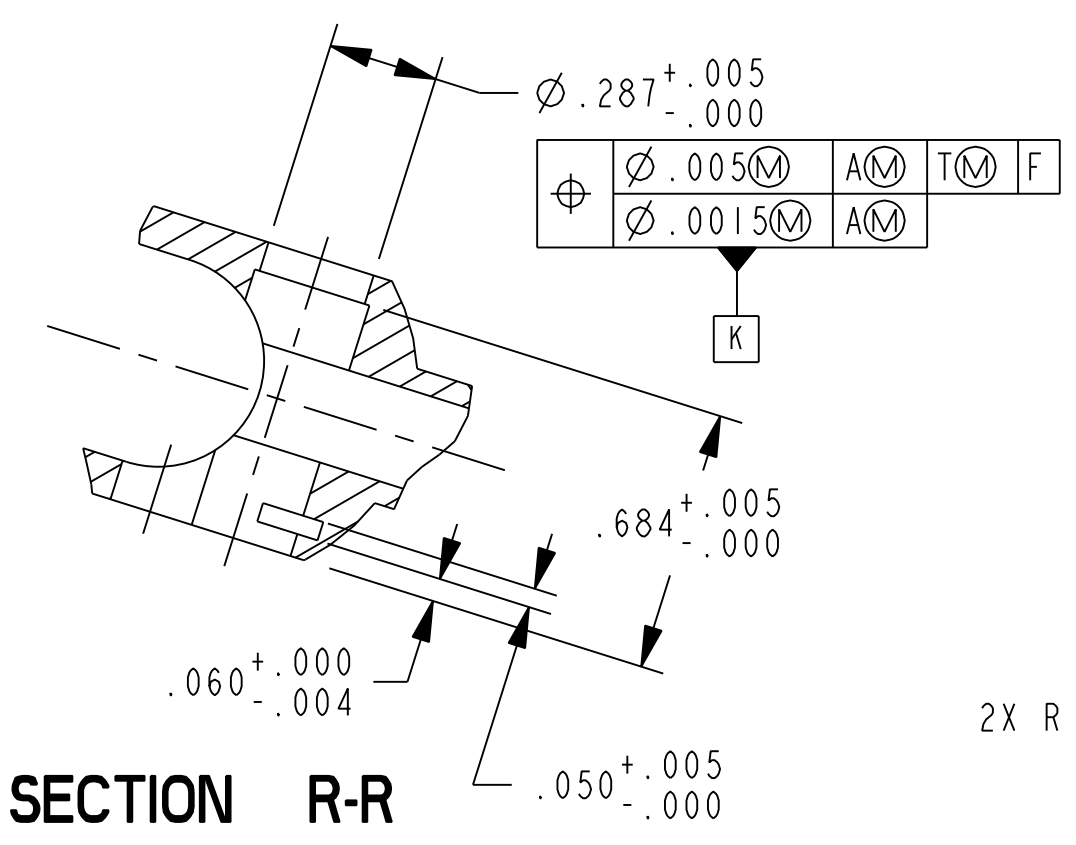
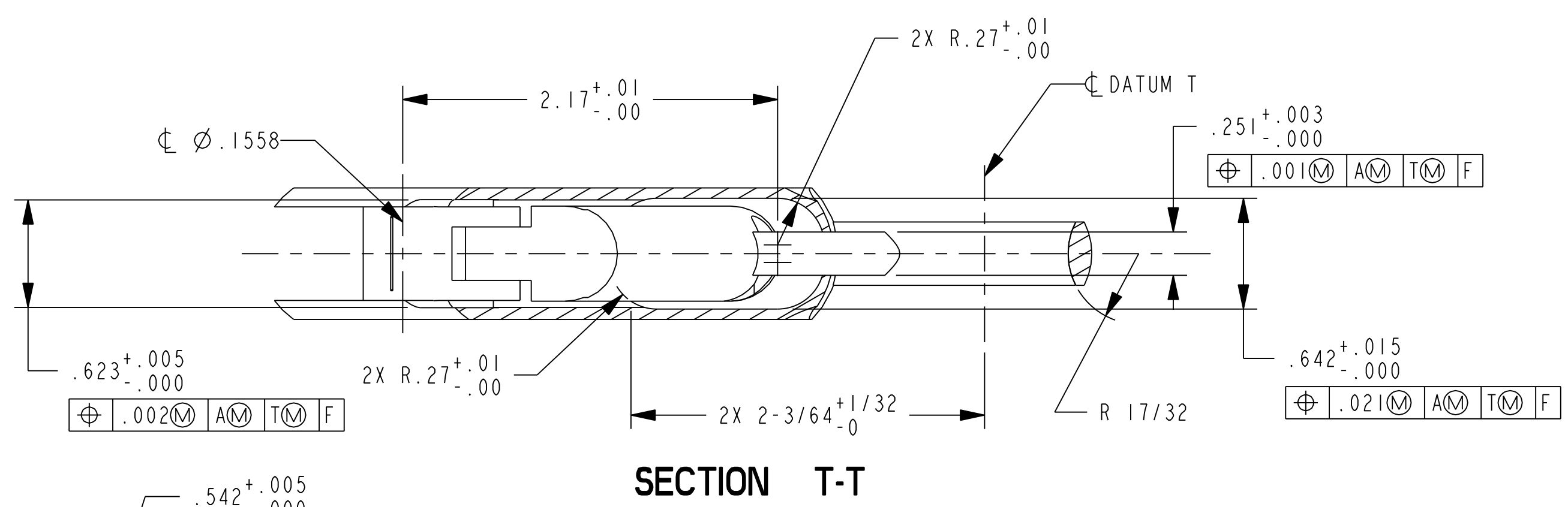
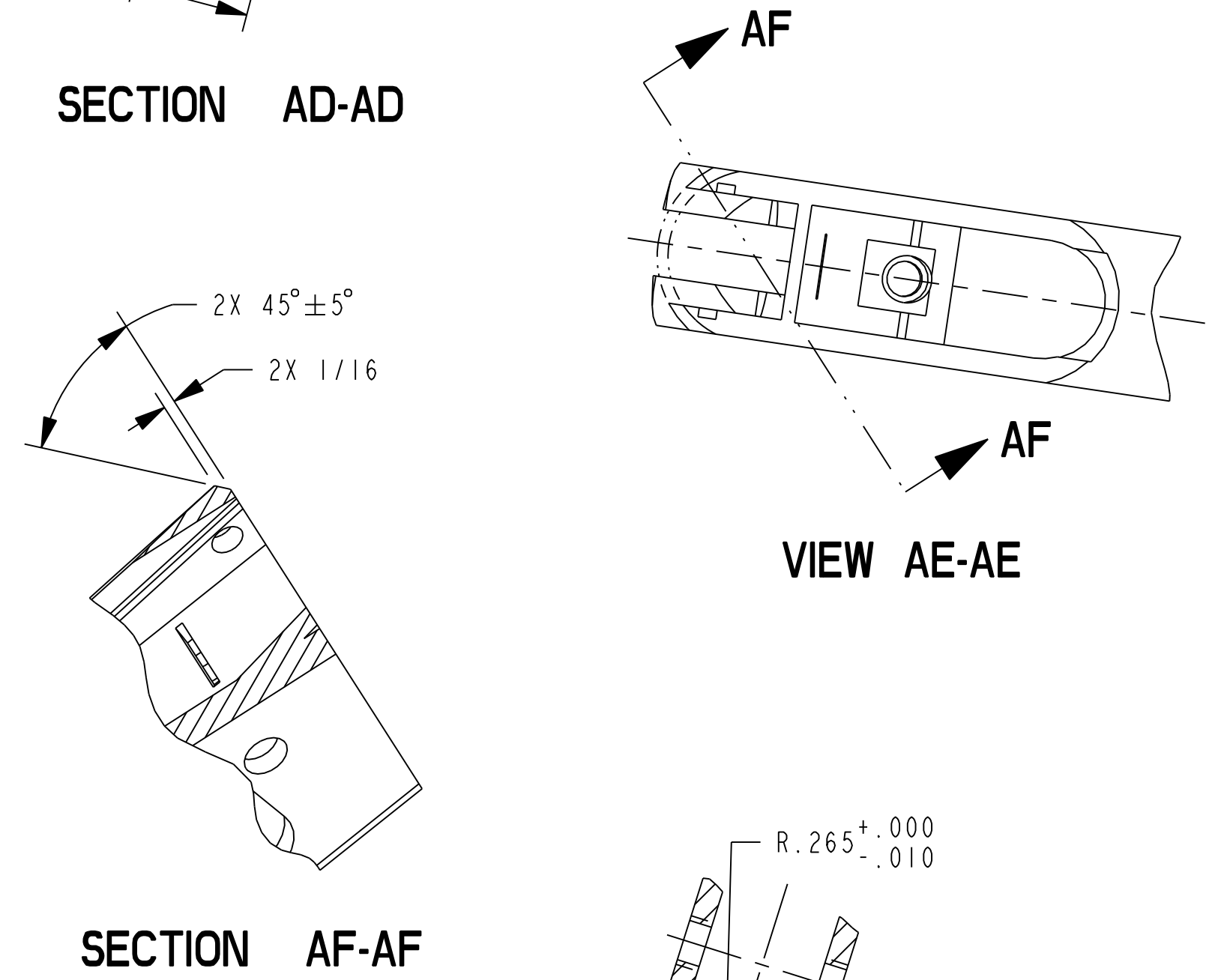
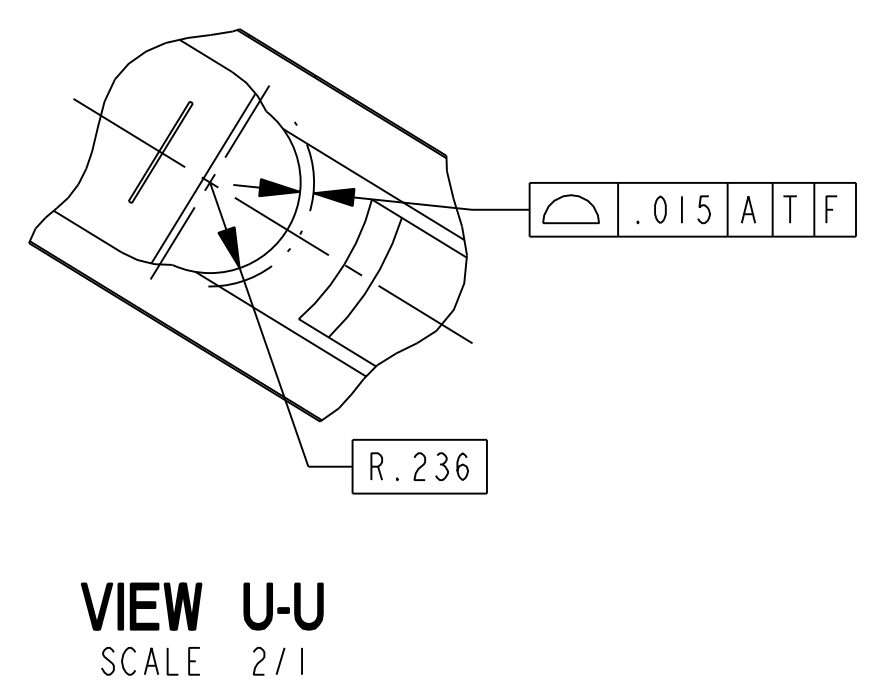
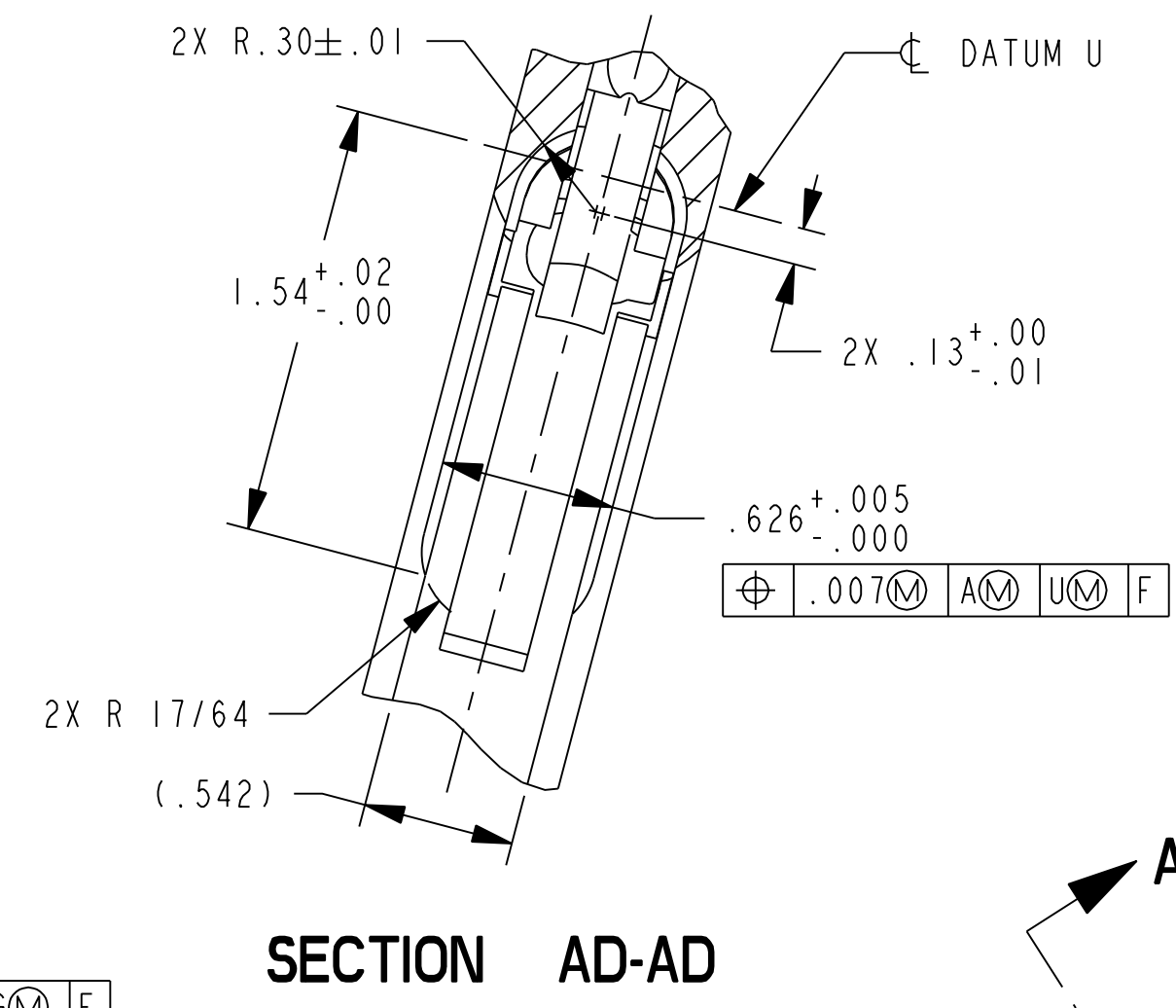
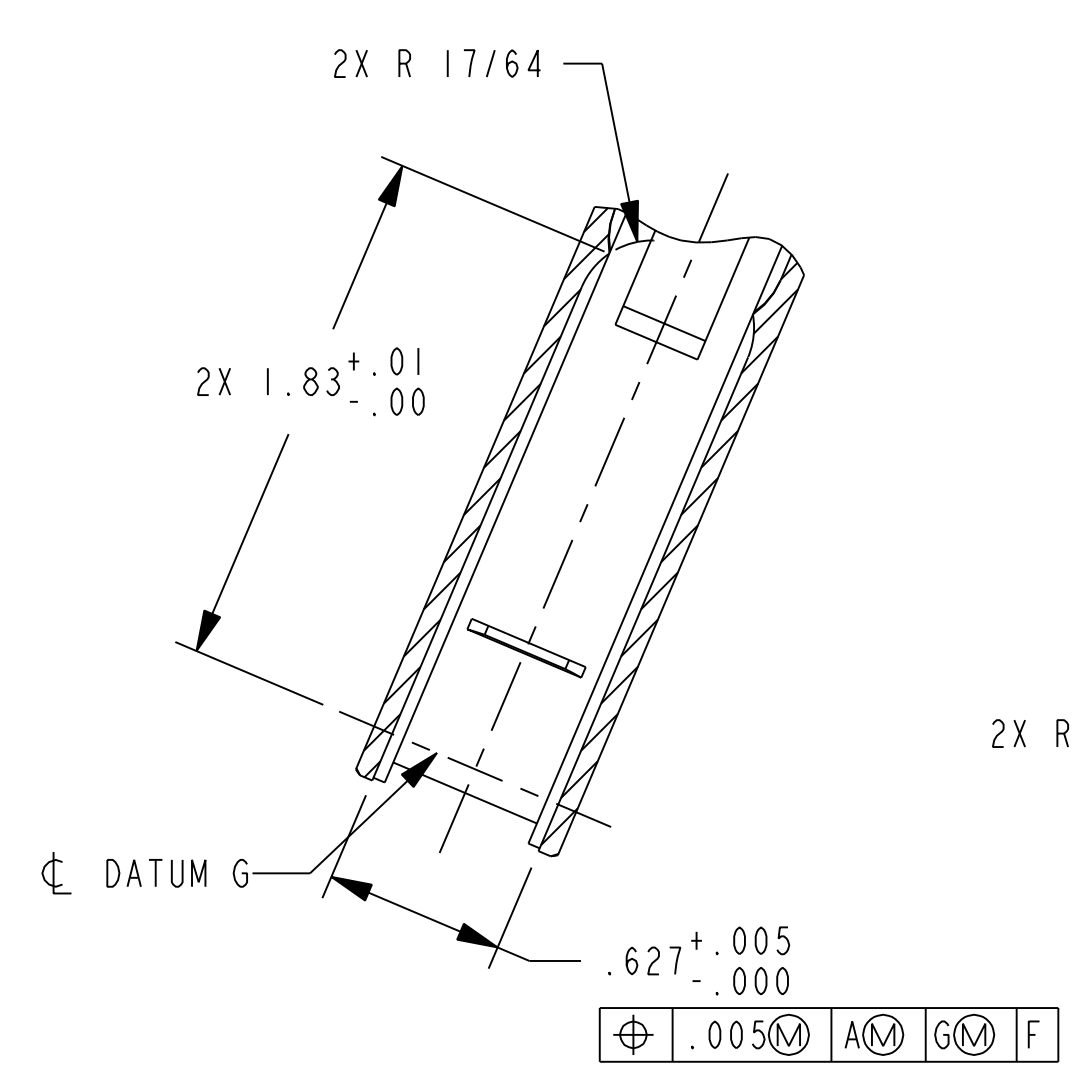
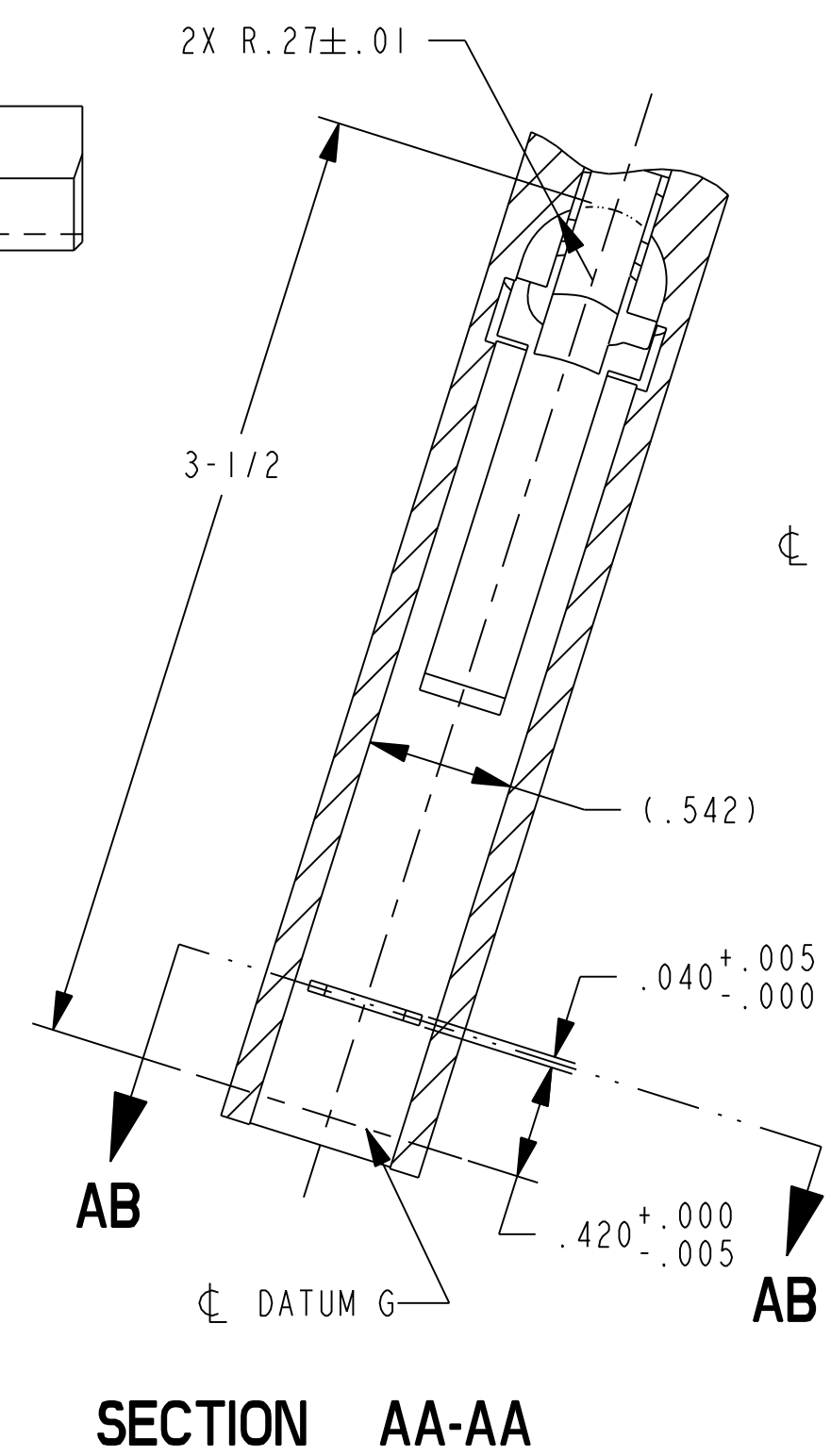
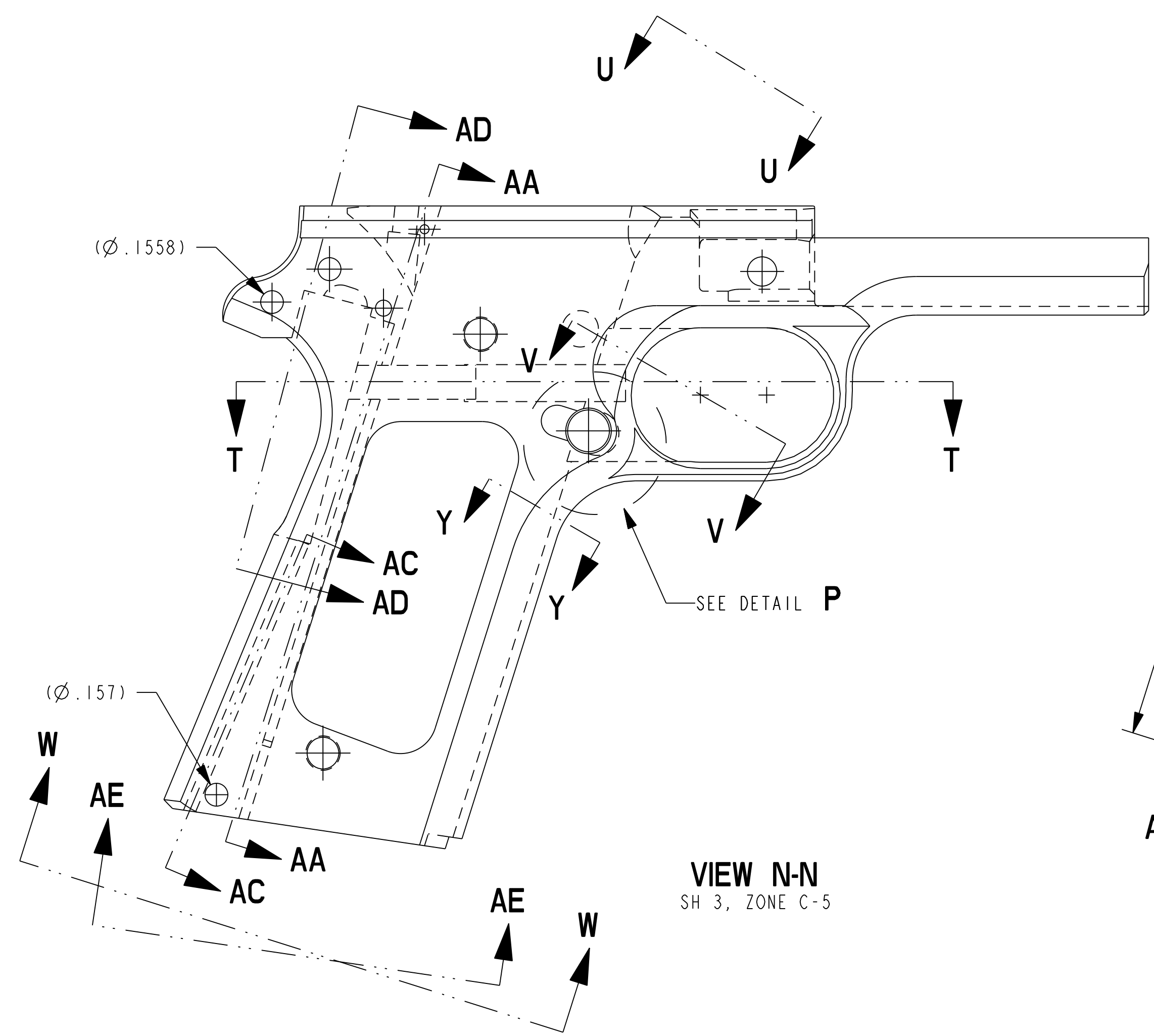


**DETAIL L**  
SCALE 2/1

DISTRIBUTION STATEMENT F: FURTHER DISSEMINATION ONLY AS DIRECTED BY ORDNANCE TESTING FACILITY, MARINE CORPS SYSTEMS COMMAND (01 MAR 2007) OR HIGHER DOD AUTHORITY.

DESTRUCTION NOTICE: FOR CLASSIFIED, LIMITED DOCUMENTS AND SENSITIVE DOCUMENTATION, THIS DOCUMENT SHALL BE DESTROYED BY ANY METHOD THAT WILL PREVENT DISCLOSURE OF CONTENTS OR RECONSTRUCTION OF THIS DOCUMENT.

SIZE	CAGE CODE	DRAWING NO.	REV
D	01365	07005B0001	-
SCALE:	NONE	SHEET 3	



DISTRIBUTION STATEMENT F: FURTHER DISSEMINATION ONLY AS DIRECTED BY ORDNANCE TESTING FACILITY, MARINE CORPS SYSTEMS COMMAND (01 MAR 2007) OR HIGHER DOD AUTHORITY.

DESTRUCTION NOTICE: FOR CLASSIFIED, LIMITED DOCUMENTS AND SENSITIVE DOCUMENTATION, THIS DOCUMENT SHALL BE DESTROYED BY ANY METHOD THAT WILL PREVENT DISCLOSURE OF CONTENTS OR RECONSTRUCTION OF THIS DOCUMENT.

SIZE	CAGE CODE	DRAWING NO.	REV
D	01365	07005B0001	-
SCALE:	NONE	SHEET 4	

D

D

C

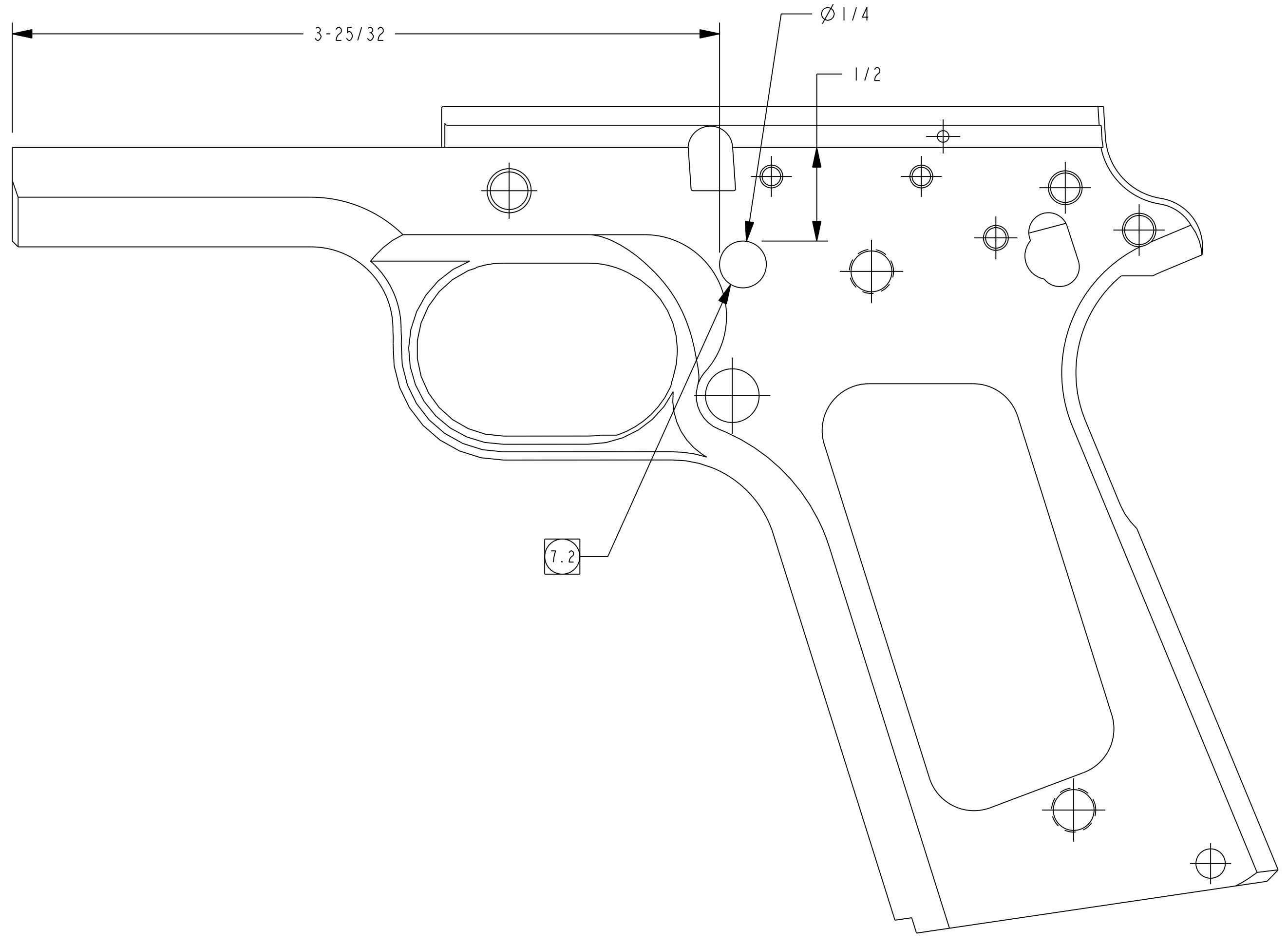
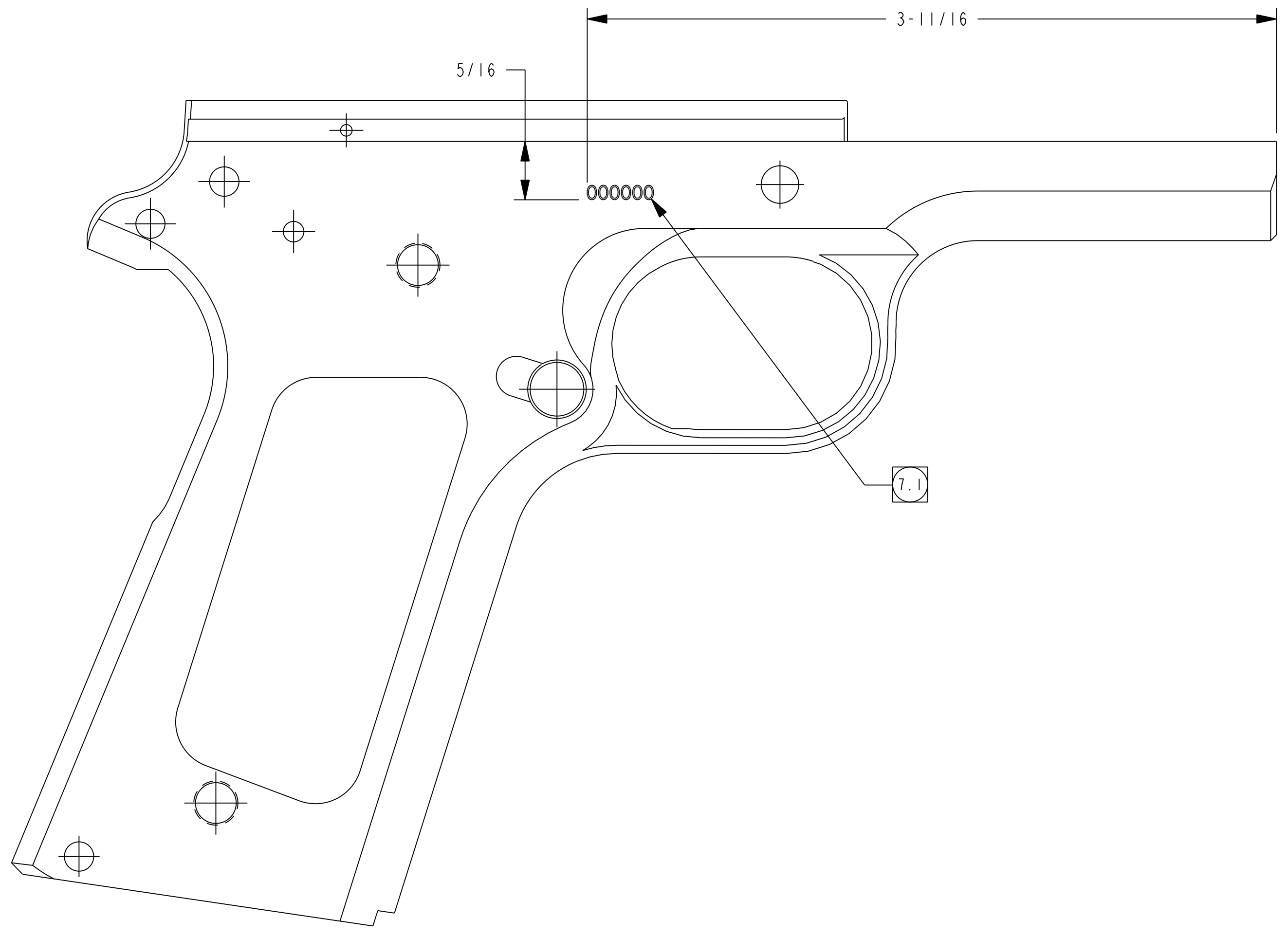
C

B

B

A

A



RECEIVER MARKING DETAILS

DISTRIBUTION STATEMENT F: FURTHER DISSEMINATION ONLY AS DIRECTED BY ORDNANCE TESTING FACILITY, MARINE CORPS SYSTEMS COMMAND (01 MAR 2007) OR HIGHER DOD AUTHORITY.

DESTRUCTION NOTICE: FOR CLASSIFIED, LIMITED DOCUMENTS AND SENSITIVE DOCUMENTATION, THIS DOCUMENT SHALL BE DESTROYED BY ANY METHOD THAT WILL PREVENT DISCLOSURE OF CONTENTS OR RECONSTRUCTION OF THIS DOCUMENT.

SIZE	CAGE CODE	DRAWING NO.	REV
D	01365	07005B0001	-
SCALE:	2/1	SHEET 5	