



# 7<sup>th</sup> Signal Command (T)

18 AUGUST 2008

Mr Steve Klinfielter  
Stephen.klinefielter@conus.army.mil, DSN 780-8059



# ***AGENDA***

- A Capabilities Gap
- CONUS Mission Environment
- The 7th Signal Command (T) Concept
- 7th's Standup Phases
- Current Staffing
- Way Ahead
- Summary



# Scope of CONUS

## Generating Forces

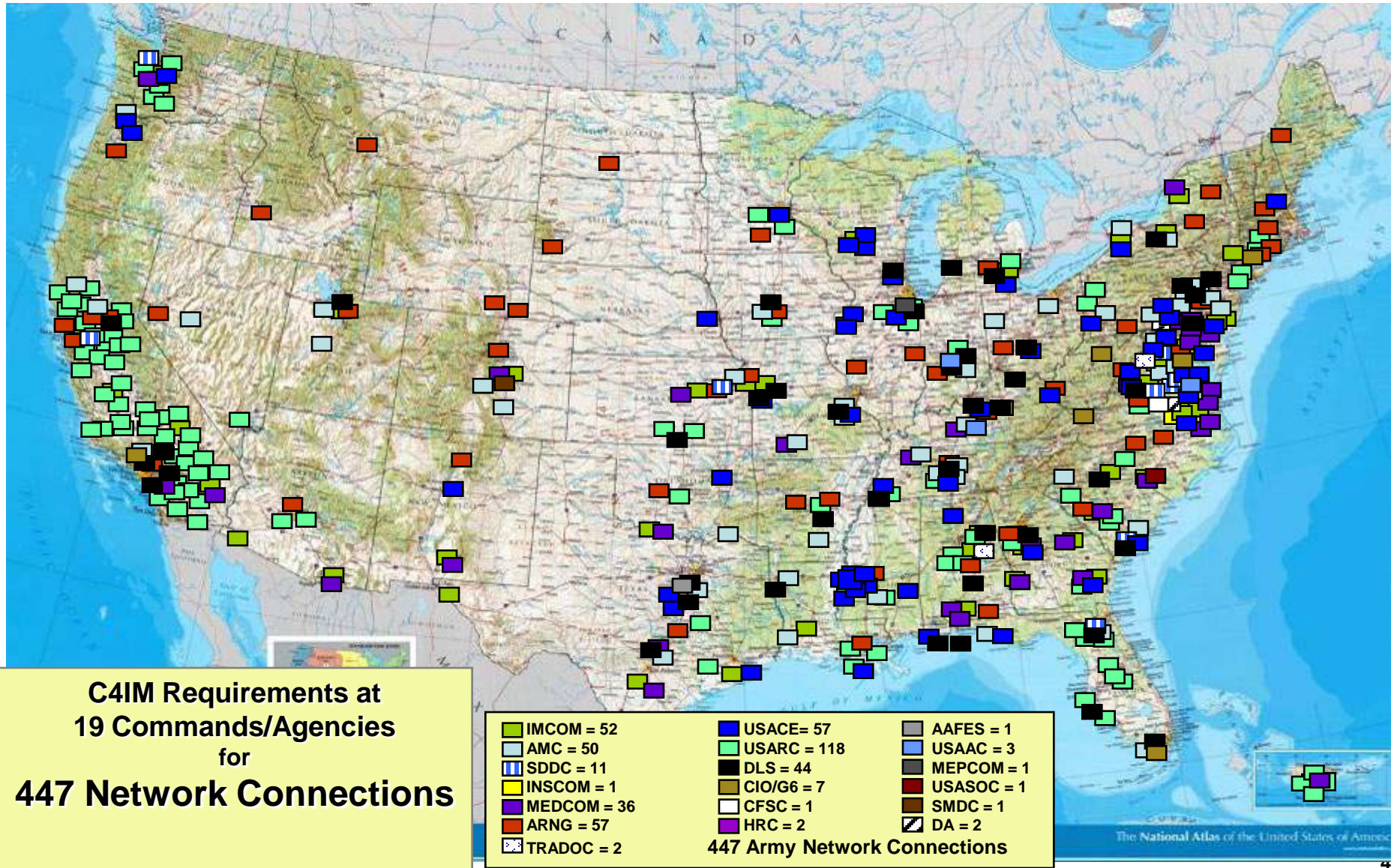
- National Capitol Region
- 3 Army Commands (ACOM) (1 also ASCC)
- 6 Army Service Component Commands (ASCC)
- 11 Direct Reporting Units (DRU)
- 4 USAR Regional Support Commands
- 115 Installations (81 IMCOM, 35 Other)
- 904 USAR Installations/Armed Forces Reserve Centers

---

## Operating Forces

- 3 Corps
- 7 Active Divisions
- 2 Integrated Divisions
- 8 ARNG Divisions
- 10 USAR Operational & Functional Commands

# Army CONUS Mission Environment





# UNCLASSIFIED/FOUO *Tenets of LandWarNet*



- Battle command. Expeditionary forces must rehearse as they fight; seamlessly train, deploy, and transition; and, maintain operational tempo across all phases.
- Global Collaborative Environment. War fighters must leverage the global Joint collaborative environment (common identity, data, applications and services enabled by the enterprise) to organize, configure, train, model, rehearse, and deploy the force.
- Command and Control. The LWN requires a single commander responsible for security and quality of service ensuring the LWN capabilities are prioritized and available to support warfighting, business, and intelligence domains.
- Unity of Effort. The LWN requires unity of effort in the provisioning, operation, management, defense, sustainment and resourcing.
- Global Situational Awareness. The LWN/GIG must dynamically adjust network priorities and availability globally and be able to enforce policies and standards within the Joint NetOps framework.

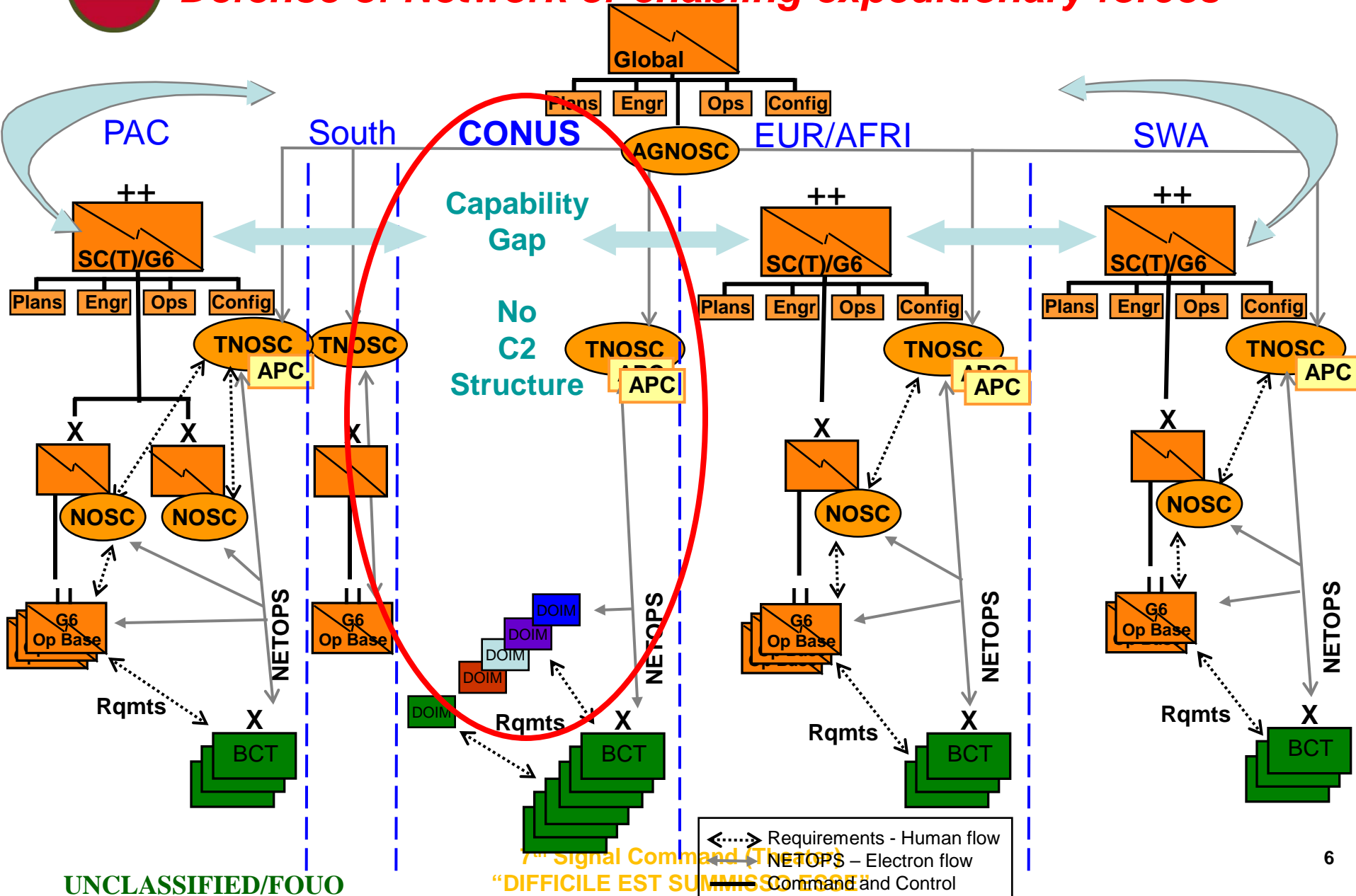
## Current Situation: CONUS Capabilities Gap

**CONUS LandWarNet operational base lacks the command and control capabilities and the structure to support CONUS based information-enabled expeditionary operations.**





# Problem: No CONUS Theater Signal Unit focused on Defense of Network or enabling expeditionary forces





# 7<sup>th</sup> SC(T) Mission Statement

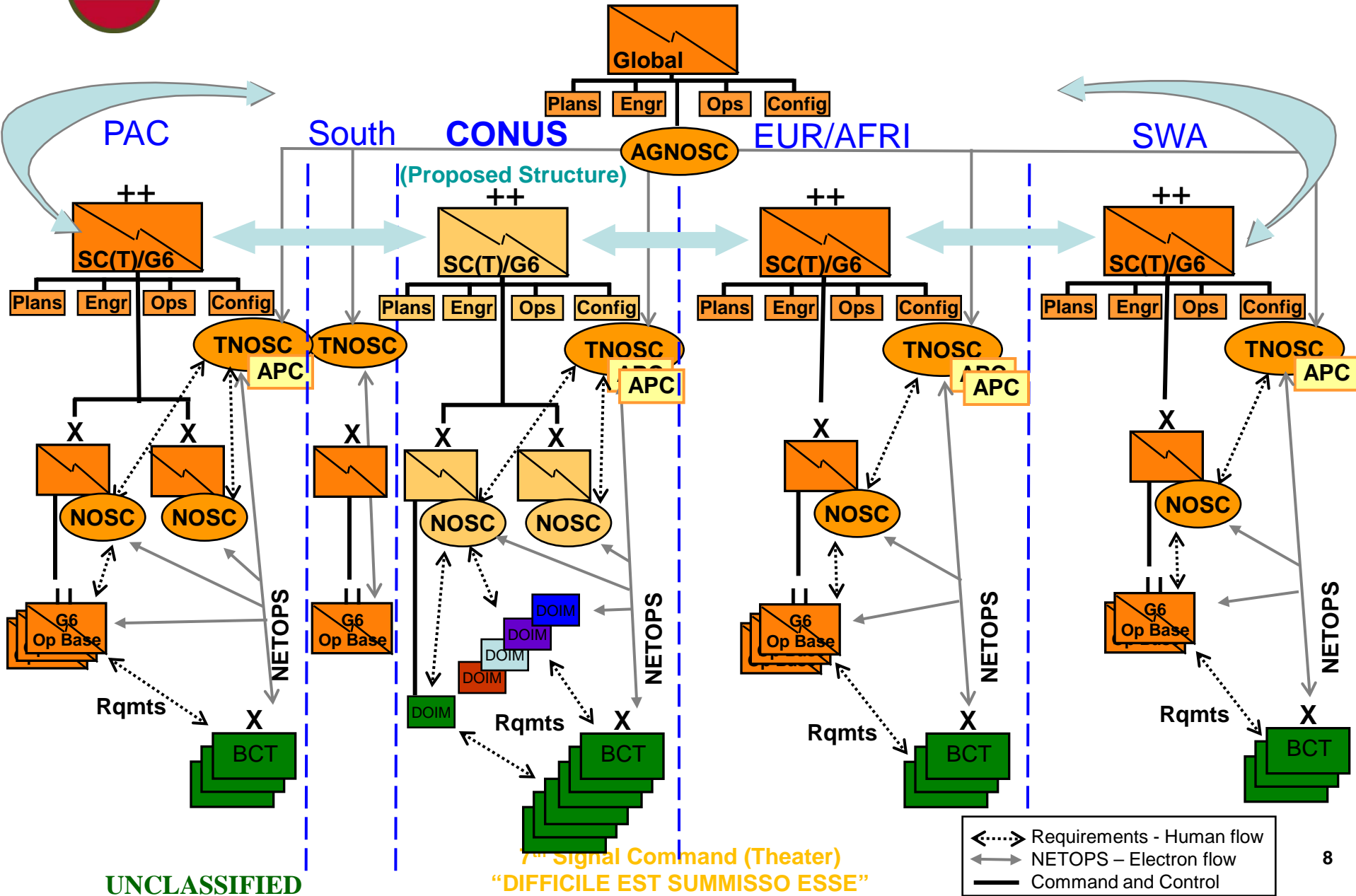
Extend LandWarNet capabilities to operating and generating forces in support of Continental United States (CONUS) based information-enabled expeditionary operations. Provide integration, security, and defense of the CONUS portion of the LandWarNet. Establish information management capabilities and enable the Global Collaborative Environment.

## Support relationships (To Be Developed):

- With CTSF to enable resolution of operating and generating force NETOPS and Battle Command Issues
- Coordinate all PEO/PM actions that impact LandWarNet capabilities to CONUS based Generating and Operating Forces
- Relationship between 7<sup>th</sup> SC(T), DOIMs and operating forces in order to facilitate FORSCOM's training and oversight responsibilities for Signal Formations



# Solution: CONUS Signal Command (Theater)



7<sup>th</sup> Signal Command (Theater)  
"DIFFICILE EST SUMMISSO ESSE"

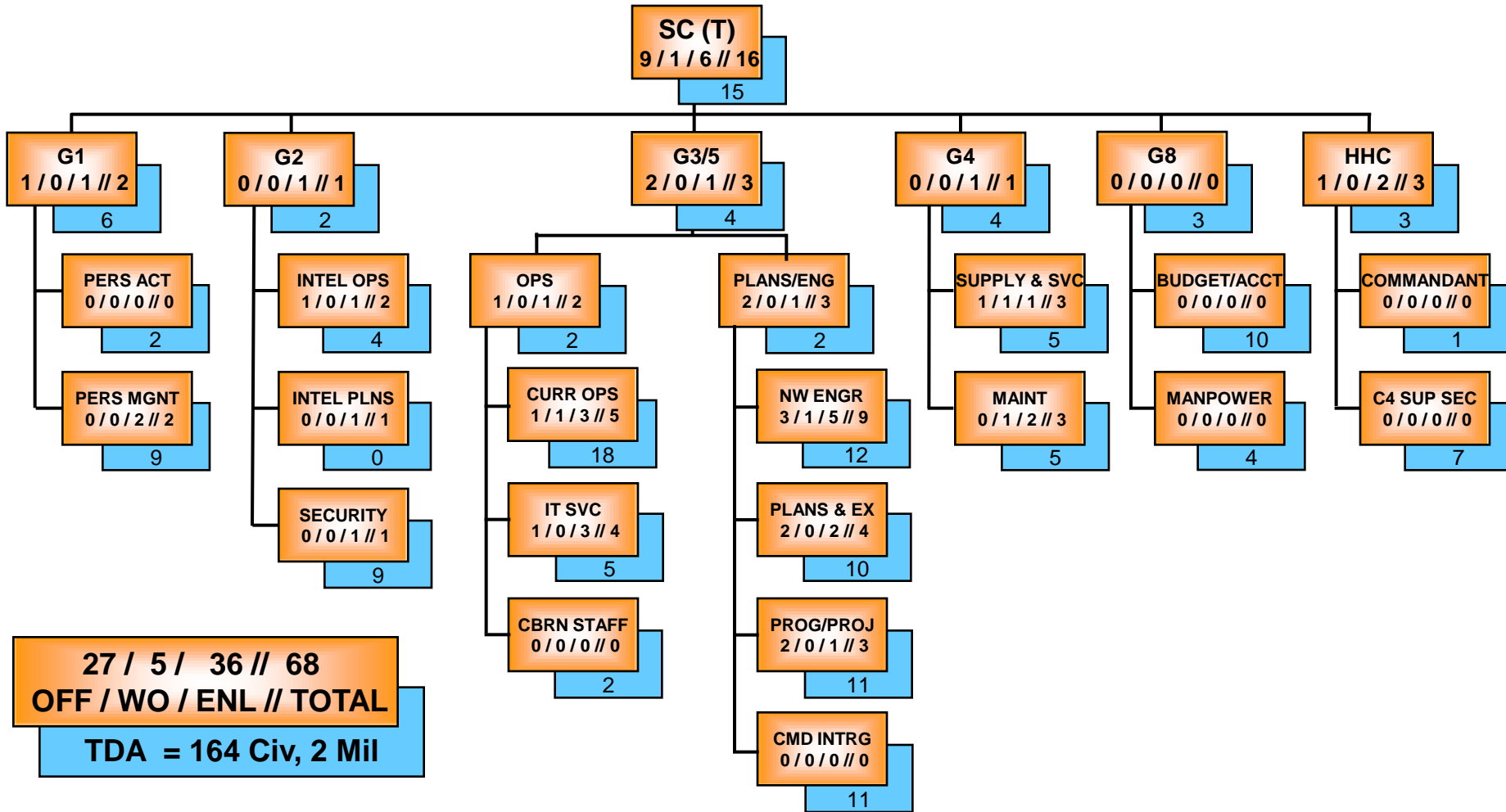
<---> Requirements - Human flow  
 <==> NETOPS - Electron flow  
 — Command and Control





UNCLASSIFIED

# Proposed Signal Command (Theater)



**Mission:** Extend LandWarNet capabilities to Operating and Generating forces in support of CONUS based information-enabled expeditionary operations. Provide integration, security and defense of the CONUS portion of the LandWarNet. Exploit information management capabilities and enable the Global Collaborative Environment for warfighting, business, and intelligence operations.

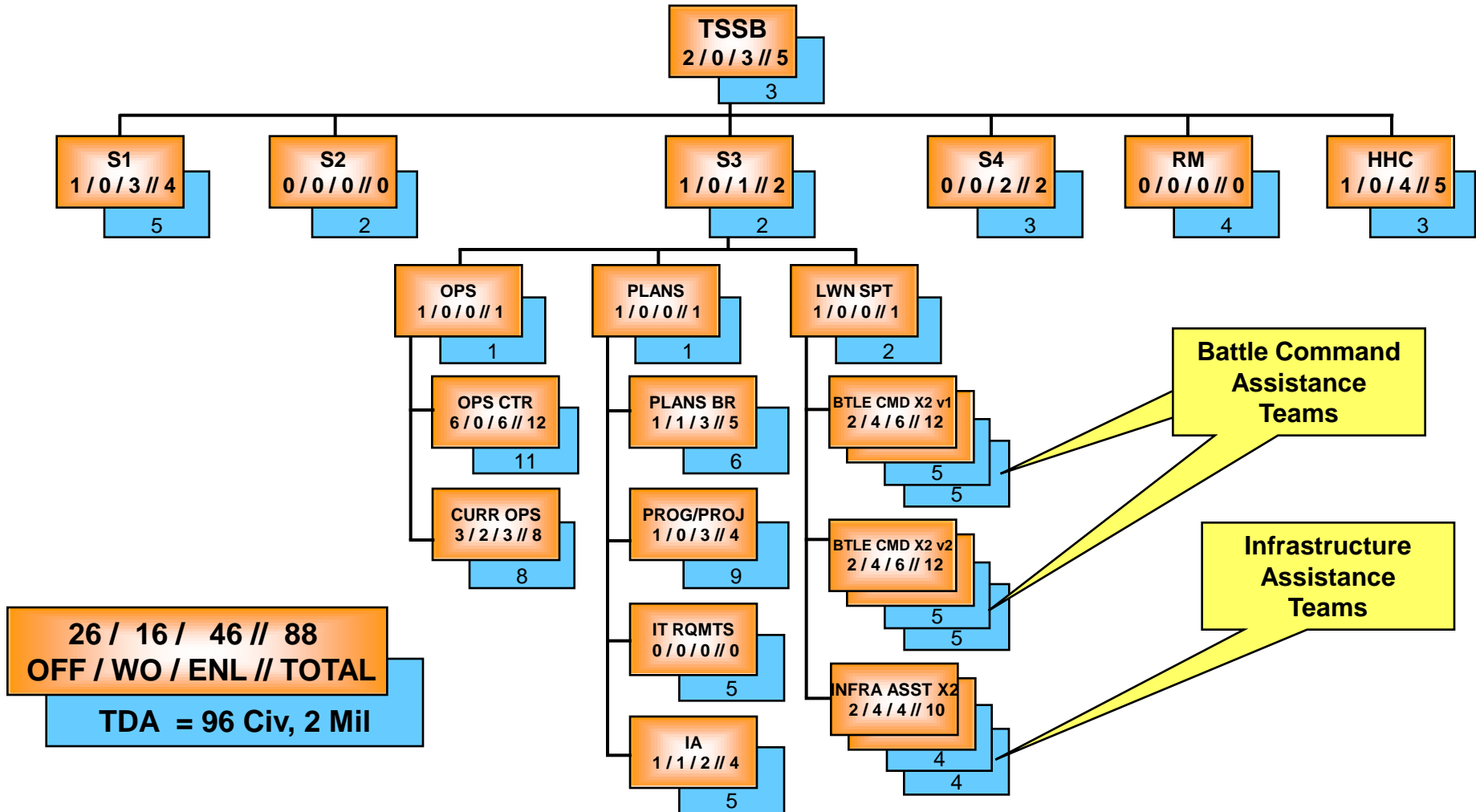
**Basis Of Allocation:** One per CONUS Theater

UNCLASSIFIED

7th Signal Command (Theater)  
"DIFFICILE EST SUMMISSO ESSE"



# Proposed Signal Brigade



**Mission:** Synchronize LandWarNet capabilities ISO operating and generating force requirements. Execute network and information systems integration. Enable 24x7 access to LandWarNet capabilities and the Global Collaborative Environment. Exercise oversight of Directorate of Information Management LandWarNet operations and synchronize integration of network service providers.

**Basis Of Allocation:** Two per CONUS Theater

**7th Signal Command (Theater)**  
 "DIFFICILE EST SUMMISSO ESSE"



# Battle Command Assistance Teams



The team will be able to support a deploying Operating Force Headquarters and its geographically dispersed major subordinate elements at home station and as they deploy through their training exercises. The BCATS will support the 20 NTC/JRTC rotations per year.

## Functions:

Provide NETOPS/IA expertise to Operating Forces as they train and deploy

Support network configuration and troubleshooting of tactical networks in garrison

Support Battle Command system configuration and troubleshooting through the ARFORGEN phases

24A00	O5	ABQ	CHIEF
250N0	W4	CTN	NETWORK MGMT TECH
254A0	W4	CDN	SIGNAL SYSTEM TECH
25B40	E7	CSW	INFO SYS STAFF NCO
25S40	E7	CRD	SATCOM SYS STAFF NCO
25N30	E6	CXB	NET MGT SYS OPR-MNT
00854	YA2		COMPUTER ENGR
02210	YA2		IT SPEC
02210	YA2		IT SPEC
02210	YA2		IT SPEC
00854	YA2		COMPUTER ENGR
02210	YA2		IT SPEC
02210	YA2		IT SPEC
02210	YA2		IT SPEC

53A00	O5	ABQ	CHIEF
250N0	W4	CTN	NETWORK MGMT TECH
251A0	W4	CDN	INFO SYS TECH
25B40	E7	CSW	INFO SYS STAFF NCO
25W40	E7	CRD	NETWORK OPERATIONS CHIEF
25N30	E6	CXB	NET MGT SYS OPR-MNT
00854	YA2		COMPUTER ENGR
02210	YA2		IT SPEC
02210	YA2		IT SPEC
02210	YA2		IT SPEC
00854	YA2		COMPUTER ENGR
02210	YA2		IT SPEC
02210	YA2		IT SPEC
02210	YA2		IT SPEC



# Infrastructure Assistance Teams

The team will provide technical support and oversee the implementation of new network equipment into the existing infrastructure. The IAT will ensure old and new systems are interoperable, that all required support/capacity is available and that the network remains secure.

## Functions:

Provide NETOPS/IA expertise to Generating Forces

Coordinate PEO/PM actions that impact LandWarNet capabilities in CONUS

Assess and generate installation infrastructure requirements and solutions

53A00	O5	ABQ	CHIEF
250N0	W4	CTN	NETWORK MGMT TECH
251A0	W4	CVR	INFO SYSTEMS TECH
25B4O	E7	CSW	INFO SYS STAFF NCO
25B3O	E6	USD	INFO SYSTEMS NCO
02210	YA2		OPERATIONS OFFICER
02210	YA2		NET CCIE CISCO CERT
02210	YA2		MSCE MICROSOFT CERT
02210	YA2		CISSP CERT INFO SEC
02210	YA2		OPERATIONS OFFICER
02210	YA2		NET CCIE CISCO CERT
02210	YA2		MSCE MICROSOFT CERT
02210	YA2		CISSP CERT INFO SEC



UNCLASSIFIED

# 7th Signal Command (T) Staffing Numbers



	Cadre	IOC	FOC
<b>7<sup>th</sup> SC(T) Personnel</b>	<b>41</b>	<b>116</b>	<b>234</b>
Military	21	37	70
Civilian	20	79	164
<b>Brigade Personnel x2</b>	<b>78</b> <b>39x2</b>	<b>172</b> <b>86x2</b>	<b>372</b> <b>186x2</b>
Military	30x2	51x2	90x2
Civilian	9x2	35x2	96x2
<b>TOTAL</b>	<b>119</b>	<b>288</b>	<b>606</b>

**\*\*CIV numbers are requirements. Authorizations will be 15% less. Then funding...**

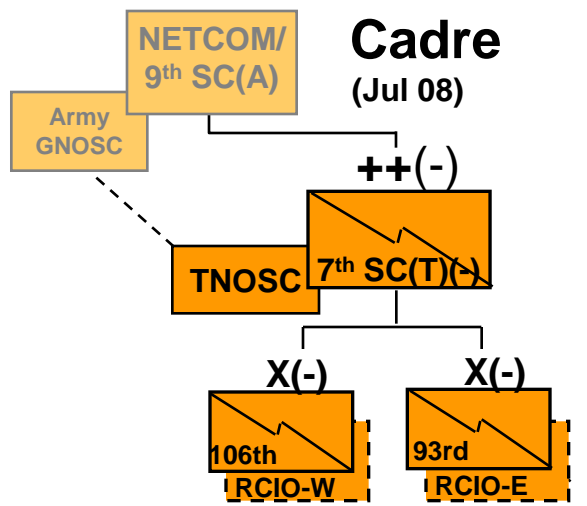


# *Significant Milestones to Date*

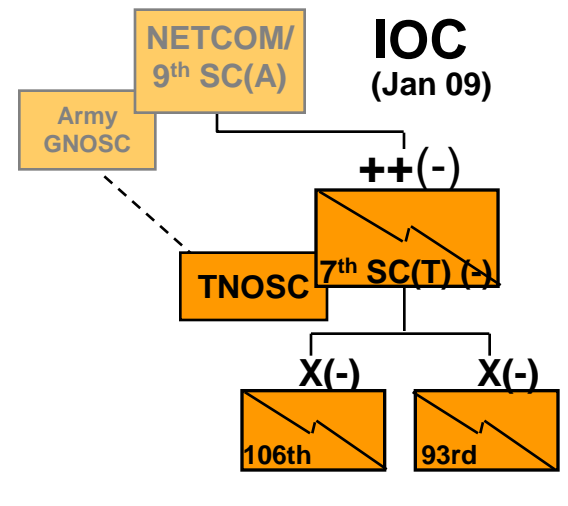
- 10 OCT 05 11 Star Memo signed
- 10 JUL 07 VCSA Approval
- 22 SEP 07 HQDA EXORD published
- 11 Nov 07 Task Force 7 stood up
- 05 DEC 07 NETCOM OPORD published
- 16 JAN 08 BDE CDRs & S3s identified
- 01 FEB 08 FDU submitted to SIGCEN
- 27 MAR 08 Concept Plan Approved
- 28 APR - 2 MAY 08 NETOPS & IMCOM ROC Drills
- 06 MAY 08 VCSA Memo designating HICON
- 16 JUL 08 Cadre Phase



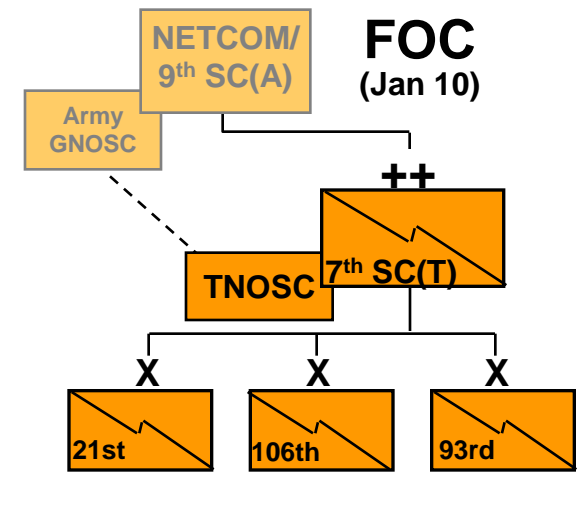
# Phase Plan



## Cadre (Jul 08)



## IOC (Jan 09)



## FOC (Jan 10)

- Actions**
- Army provide GO and O6 Cmdrs and cadre
  - Army support on stationing plans
  - Army decision on SC(T) 4-star HICON
  - NETCOM xfer RCIOs from ESTA to SC(T)
  - NETCOM submit FDU for SC(T) & new Bde

- High-Level Capabilities**
- SC(T) Cdr/G6 with cadre staff
  - Develop Relationships
  - Oversight installation of Enterprise solutions
  - Oversight migration to Enterprise solutions
  - Associated Tasks to enable IOC
  - SC(T) assume C2 of CTNOSC
  - BDE Cdrs assume C2 of RCIOs

- Actions**
- Army approval of FDU
  - Army resource civilian manpower
  - Bdes establish NETOPS SA and service desk
  - SC(T)/Bde solidify relationships with all DOIMs

- High-Level Capabilities (Additive)**
- Prioritize network efforts
  - Enforce policy
  - Initial CONUS operational planning & engr
  - Initial expeditionary force support
  - Initial Operational and Generating force support (one Deployable Team)
  - Initial service desk
  - Distributed NETOPS

- Actions**
- Army approval of MTOE/AugTDA structures

- High-Level Capabilities (Additive)**
- Unified C2 and defense of LWN
  - Responsive to Cdrs thru G6 oversight
  - Proactive security vice reactive repair
  - Theater configuration management
  - Operational and Generating force support (using Deployable Teams)
  - Full planning, engr, and proj mgt (CONUS)
  - Centralized O&M CONUS contract mgmt
  - IT capital planning
  - Unity of Effort – Generating and Operational Force

7th Signal Command (Theater)  
"DIFFICILE EST SUMMISSO ESSE"



# 7th Signal Command (T) Cadre Staffing

- 7th SC(T)
  - CG BG Napper
  - CSM TBD
  - DCDR COL Paul English
  - Chaplain COL Bill Laigaie
  - CofS COL Ed Morris
  - G3 COL Mike Kell
  - G3 OPS LTC Chuck Rimby
  - G3 Plans & Engr LTC Randy Carlson
  - G3 CW5 Cornwall & CW4(P) Young
- 93rd Signal BDE
  - CDR, COL James Garrison
  - S3, MAJ Dan Kuntz
- 106th Signal Bde
  - CDR, COL Chris Miller
  - S3, MAJ Geoff Pinsky





# *Significant Milestones Ahead*

- 22 – 24 JUL LANDWARNET ROC Drill
- 16 JAN 09 IOC Phase
- 2 QTR FY09 NSC Proof of Concept Exercise
- JUL 09 Ft. Gordon Facilities FOC
- JUL 09 Ft. Sam Houston Facilities FOC
- DEC 09 RCIOs Deactivate
- 16 JAN 10 FOC Phase



# Summary



- Concept Plan was approved by HQDA G3; FDU in Progress
- Phased activation
- Signal Command will be OPCON to FORSCOM and located at Fort Gordon
- Signal Brigades, 93rd & 106th at Fort Eustis and Fort Sam Houston
- Network Service Center concept (NETOPS, CONNECT, SERVICES)
- Brigade relationship with DOIMs
- RCIO will be integrated into the Signal Brigade HQ as DEP BDE CDR